

AC Laminated Solenoid

Model 14



1425 Lake Avenue, Woodstock, IL 60098

Features:

- High stroke force
- High holding force
- Brass plunger guide
- RoHS Compliant
- UL Recognized

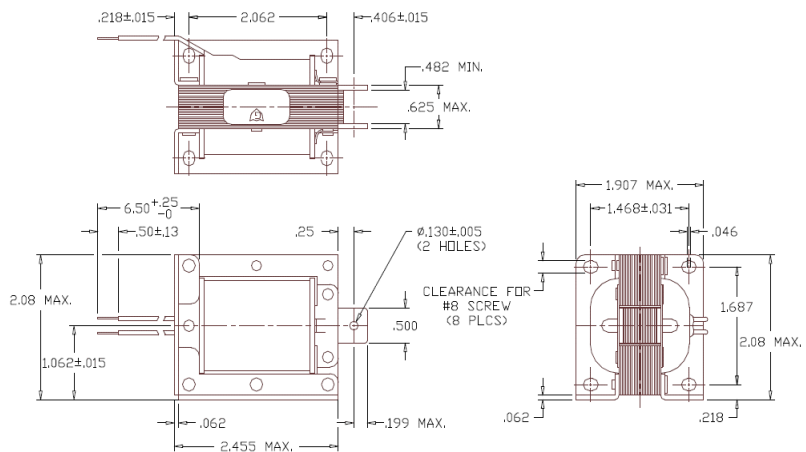
Electrical:

- Coil Voltages: 120, 240 VAC standard
- Coil Termination: 7.5" 22 or 18 AWG Wire Leads
- Duty Cycle: 100% Continuous, 20% Intermittent
- Coil treatment: Tape Wrapped
- Insulation Class: Class A Rating - 105° C (221° F)
- Dielectric Strength: 1500V 60 Hz

Mechanical:

- Size: 2.46" (L) x 1.91" (W) x 2.08" (H)
- Plunger Width: 0.48"
- Plunger Guide Material: Steel
- Mounting: 8 x .22" holes
- Weight: Plunger 2.6 oz, Total 18 oz
- Life Expectancy: 500,000 Cycles¹

¹ - Dependent on load conditions



Solenoid shown energized with plunger fully seated

Standard Part Numbers

Model No.	Part No.	Duty Cycle	Voltage	Resistance ² (Ω)	Power (VA)	Current
14-C-120A	A421-062508-09	Cont.	120VAC	18	63	525 mA
14-I-120A	A421-062508-08	Inter. 20%	120VAC	11	180	1.5 A
14-C-240A	A421-062508-11	Cont.	240VAC	93	63	263 mA
14-I-240A	A421-062508-10	Inter. 20%	240VAC	45	180	750 mA

² - Coil resistance tolerance +/- 5%

Contact us for custom voltages or duty cycles

†††

Available Customization:

- Plunger Connection
- Coil Treatment
- Coil Terminations
- Insulation systems up to class H 180° C (356° F)

*** Minimum quantities apply**

Stroke (in.)	Typical Pull Force Ounces [N] @ 20°C (68°F) (Distance from fully seated position)							HOLDING FORCE Ounces [N]
	0.125	0.250	0.375	0.500	0.625	0.750	1.000	
Continuous 100%	96 [26.7]	75 [20.9]	75 [20.9]	96 [26.7]	108 [30]	115 [32]	115 [32]	160 [44.5]
Intermittent 20%	130 [36.1]	108 [30]	108 [30]	110 [30.6]	115 [32]	120 [33.4]	120 [33.4]	220 [61.2]

Continuous Duty 100% = 100% On Time

Intermittent Duty 20% = 20% On Time (4 Minutes On Max Followed By 16 Minutes off)



www.kelcoind.com

Information contained in this specification sheet subject to change without notice. Guardian Electric ©

