

THIS DRAWING IS UNPUBLISHED.

RELEASED FOR PUBLICATION

2011

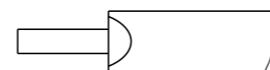
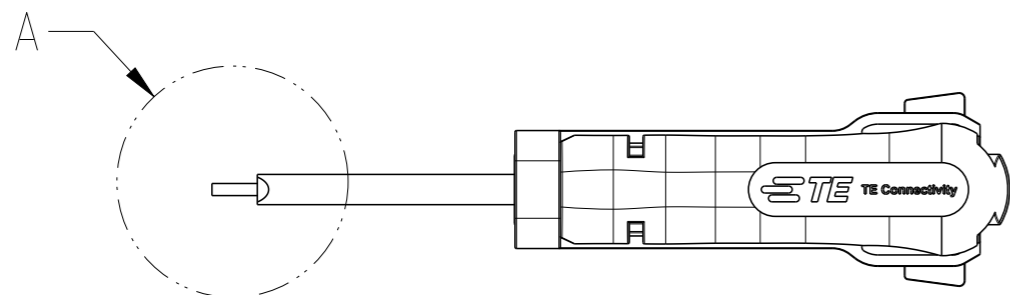
© COPYRIGHT 2011

Tyco Electronics AMP GmbH

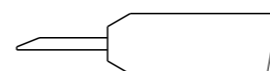
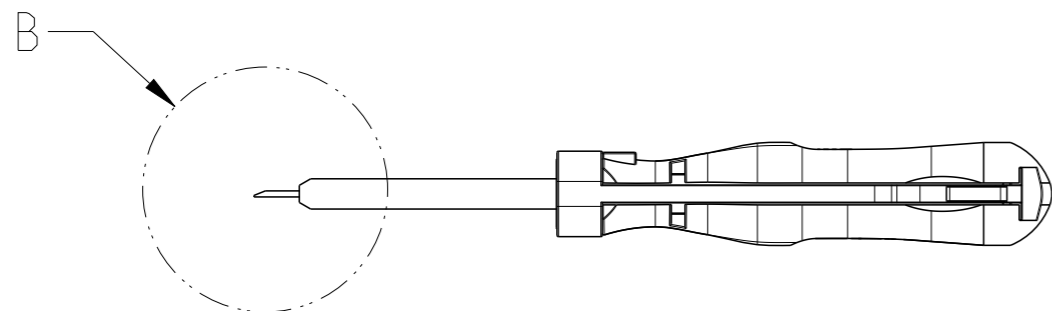
ALL RIGHTS RESERVED.

REVISIONS

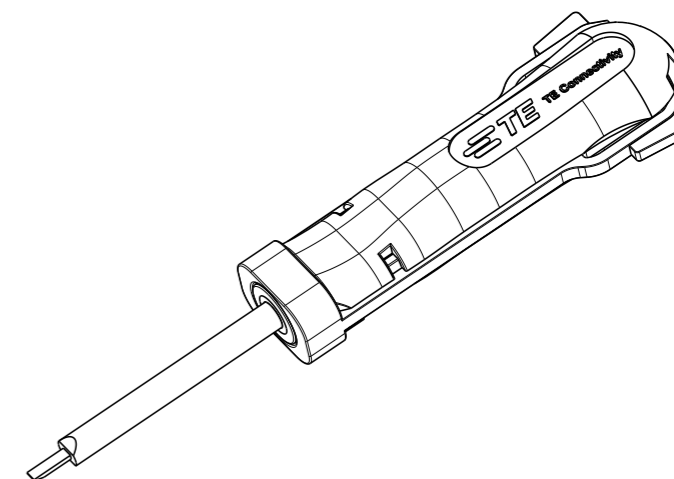
P	LTR	DESCRIPTION	DATE	DWN	APVD
	B1	ECR-16-013659	30SEP2016	KH	BM



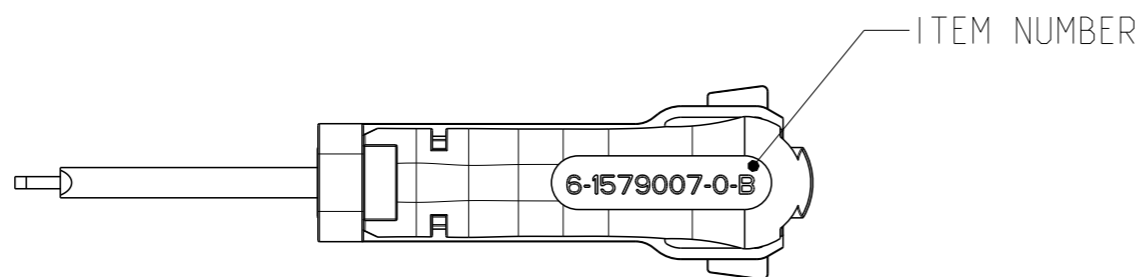
A  
2:1



B  
2:1



FOR CONTACTS / HOUSINGS:  
MQS Clean body



ITEM NUMBER

THIS DRAWING IS A CONTROLLED DOCUMENT.

DIMENSIONS: mm	
MATERIAL -	

TOLERANCES UNLESS OTHERWISE SPECIFIED:	
0 PLC	±
1 PLC	±
2 PLC	±
3 PLC	±
4 PLC	±
ANGLES	±1°
FINISH	-
	-

DWN	H. Fink	06NOV2006
CHK	G. Stegmayer	11DEC2006
APVD	G. Stegmayer	11DEC2006
PRODUCT SPEC	-	
APPLICATION SPEC	-	
WEIGHT	0.050kg	
CUSTOMER DRAWING		

		TE Connectivity	
		NAME EXTRACTION TOOL Entriegelungswerkzeug	
SIZE	CAGE CODE	DRAWING NO	RESTRICTED TO
A3	00779	6-1579007-0	-
SCALE		SHEET	REV
5:1		1 OF 1	B1