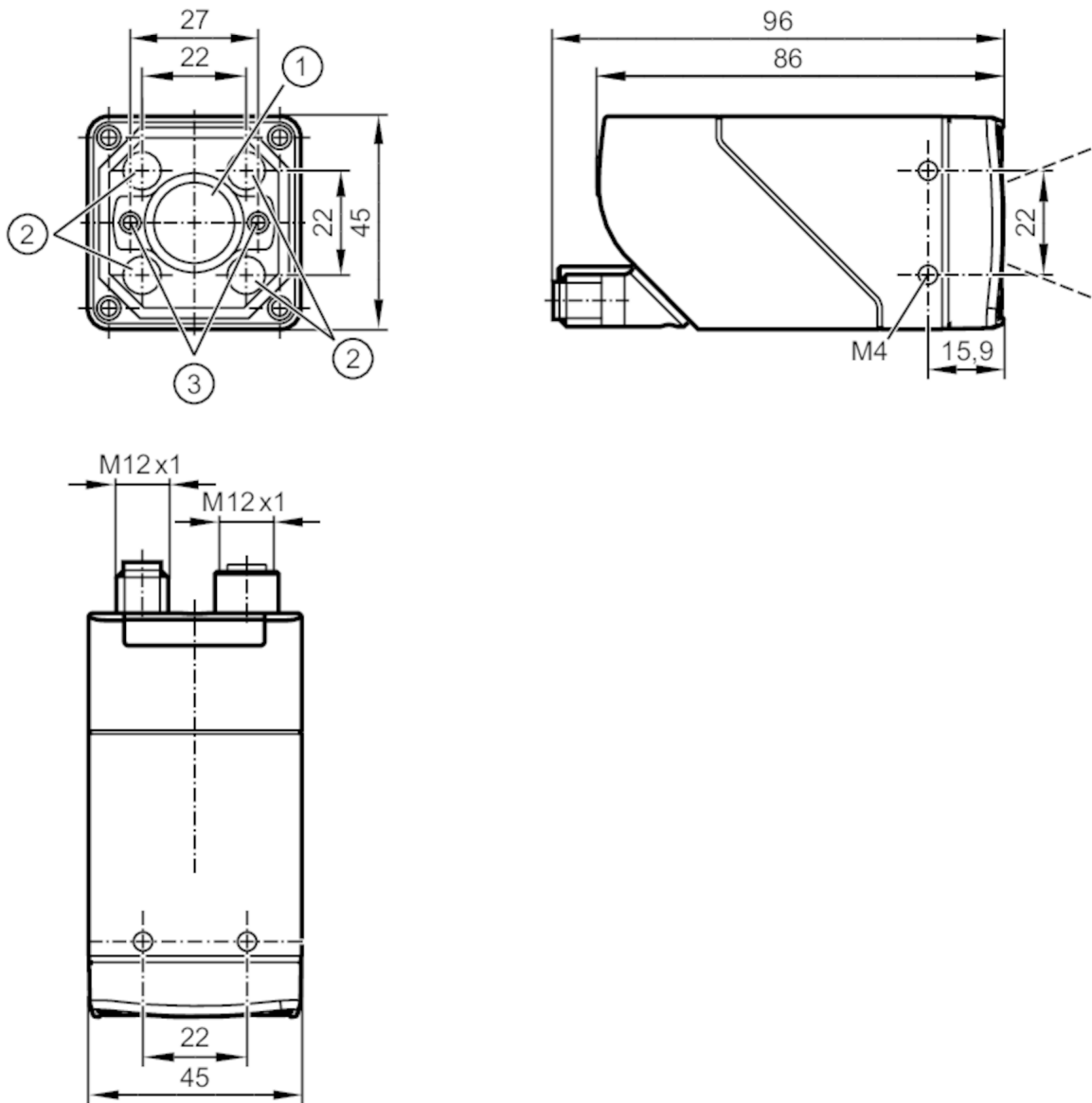


O2I512



1D / 2D code readers

O2IRRDKG/E1/E4/EF/VF/TB/W



- 1 lens
- 2 illumination unit
- 3 laser spots

Product characteristics

| | | |
|-------------------------|------|--------------|
| Type of light | | red light |
| Image resolution | [px] | 1280 x 960 |
| Max. reading rate | [Hz] | 40 |
| Communication interface | | Ethernet |
| Dimensions | [mm] | 45 x 45 x 85 |

Application

| | |
|--------|---------------------|
| System | polarization filter |
|--------|---------------------|

O2I512



1D / 2D code readers

O2IRRDKG/E1/E4/EF/VF/TB/W

| Electrical data | |
|-----------------------------|-------------------------------|
| Operating voltage [V] | 18...30 DC |
| Current consumption [mA] | < 600; (24V DC) |
| Protection class | III |
| Reverse polarity protection | yes |
| Type of light | red light |
| Wave length [nm] | 617 |
| Image sensor | CMOS image sensor black/white |

| Inputs / outputs | |
|------------------------------|---|
| Number of inputs and outputs | Number of digital inputs: 1; Number of digital outputs: 2 |

| Inputs | |
|--------------------------|--|
| Number of digital inputs | 1 |
| Trigger | external; 24 V PNP/NPN (IEC 61131-2 Typ 3); TCP/IP; PROFINET; internal |

| Outputs | |
|---|--------------------|
| Total number of outputs | 2 |
| Number of digital outputs | 2; (configurable) |
| Output function | 24 V PNP/NPN |
| Max. voltage drop switching output DC [V] | 1 |
| Max. current load per output [mA] | 100 |
| Short-circuit protection | yes |
| Type of short-circuit protection | yes (non-latching) |
| Overload protection | yes |

| Monitoring range | | | |
|-------------------------|---|---------------|--|
| Field of view size [mm] | Operating distance | Field of view | |
| | 35 | 25 x 19 | |
| | 300 | 184 x 138 | |
| | 500 | 304 x 228 | |
| | 1000 | 604 x 453 | |
| Operating distance [mm] | > 35 | | |
| Image resolution [px] | 1280 x 960 | | |
| Lens type | Wide angle | | |
| Readable codes | Interleaved 2-of-5; Industrial 2-of-5; Code 39; Code 93; Code 128; Pharmacode; Codabar; EAN8; EAN8 Add-On 2; EAN8 Add-On 5; EAN13; EAN13 Add-On 2; EAN13 Add-On 5; UPC-A; UPC-A Add-On 2; UPC-A Add-On 5; UPC-E; UPC-E Add-On 2; UPC-E Add-On 5; GS1 DataBar Omnidirectional; GS1 DataBar Truncated; GS1 DataBar Stacked; GS1 DataBar Stacked Omnidirectional; GS1 DataBar Limited; GS1 DataBar | | |

O2I512



1D / 2D code readers

O2IRRDKG/E1/E4/EF/VF/TB/W

| | | |
|-------------------------------------|--|------------------|
| | Expanded; GS1 DataBar Expanded Stacked; GS1 - 128; MSI Barcode; ECC200; PDF-417; QR; Micro-QR; Aztec Code; GS1 ECC200; GS1 QR Code; GS1 Aztec Code | |
| Code quality based on | | ISO / IEC 15415 |
| | | ISO / IEC 15416 |
| | | AIM DPM |
| | | ISO/IEC TR 29158 |
| | | SEMI T10 |
| Polarization filter available | | yes |
| Omnidirectional reading | | yes |
| Max. inclination to the image plane | [°] | 45 |
| Max. reading rate | [Hz] | 40 |

Software / programming

| | |
|---------------------------|--|
| Parameter setting options | teach button; via PC with ifm Vision Assistant |
|---------------------------|--|

Interfaces

| | |
|-------------------------------|--------------------------------------|
| Communication interface | Ethernet |
| Ethernet | |
| Number of Ethernet interfaces | 1 |
| Transmission standard | 10Base-T; 100Base-TX |
| Transmission rate | 10 MBit/s; 100 MBit/s |
| Protocol | TCP/IP; PROFINET |
| Factory settings | IP address: 192.168.0.69 |
| | subnet mask: 255.255.255.0 (Class C) |
| | gateway IP address: 192.168.0.201 |
| | MAC address: see type label |
| Usage type | Parameter setting; Data transmission |

Operating conditions

| | | |
|---------------------|------|----------|
| Ambient temperature | [°C] | -10...50 |
| Storage temperature | [°C] | -40...70 |
| Protection | | IP 65 |

Tests / approvals


| | | |
|---------------------------|--|---|
| EMC | EN 61000-6-4 radiation of interference | industrial environments |
| | EN IEC 61000-6-2 noise immunity | industrial environments |
| Shock resistance | EN 60068-2-27 | 50 g 11 ms / not repetitive |
| | EN 60068-2-27 | 40 g 6 ms / repetitive |
| Vibration resistance | EN 60068-2-6 | 2 g (10 ... 150 Hz) |
| Laser protection class | | 1 |
| Notes on laser protection | Caution: | Laser light |
| | laser class: | 1 |
| | | EN / IEC60825-1:2007 |
| | | EN / IEC60825-1:2014 |
| | | Complies with 21 CFR 1040 except for deviations pursuant to Laser Notice No. 50, dated June 2007. |
| Photobiological safety | | exempt group; (EN 62471) |
| Electrical safety | EN 61010-2-201 | electrical supply only via PELV circuits |

O2I512



1D / 2D code readers

O2IRRDKG/E1/E4/EF/VF/TB/W

| Mechanical data | | |
|---|---|-----------------|
| Weight [g] | 600.4 | |
| Dimensions [mm] | 45 x 45 x 85 | |
| Material | housing: diecast zinc powder-coated; front lens: Gorillaglas; LED window: PC; pushbuttons: POM; plug: stainless steel; sealing: FKM | |
| Displays / operating elements | | |
| Display | Function | 2 x LED, green |
| | Function | 2 x LED, yellow |
| | Teach-Funktion | 1 x LED, green |
| | Teach-Funktion | 1 x LED, yellow |
| Operating elements | 1 x | Teach-Taste |
| Accessories | | |
| Accessories (optional) | Operating software | |
| | Mounting accessories | |
| | Adapter cable | |
| | protective and filter windows | |
| Remarks | | |
| Pack quantity | 1 pcs. | |
| Electrical connection | | |
| Electrical connection - Ethernet | | |
| 1 | TxD+ | |
| 2 | RxD+ | |
| 3 | TxD- | |
| 4 | RxD- | |
| Connector: 1 x M12 | | |
|  | | |
| Electrical connection - supply | | |
| 1 | U+ | |
| 2 | trigger input | |
| 3 | 0 V | |
| 4 | Switching output 1 configurable | |
| 5 | Switching output 2 configurable / trigger output with external illumination | |
| Connector: 1 x M12 | | |

O2I512



1D / 2D code readers

O2IRRDKG/E1/E4/EF/VF/TB/W

