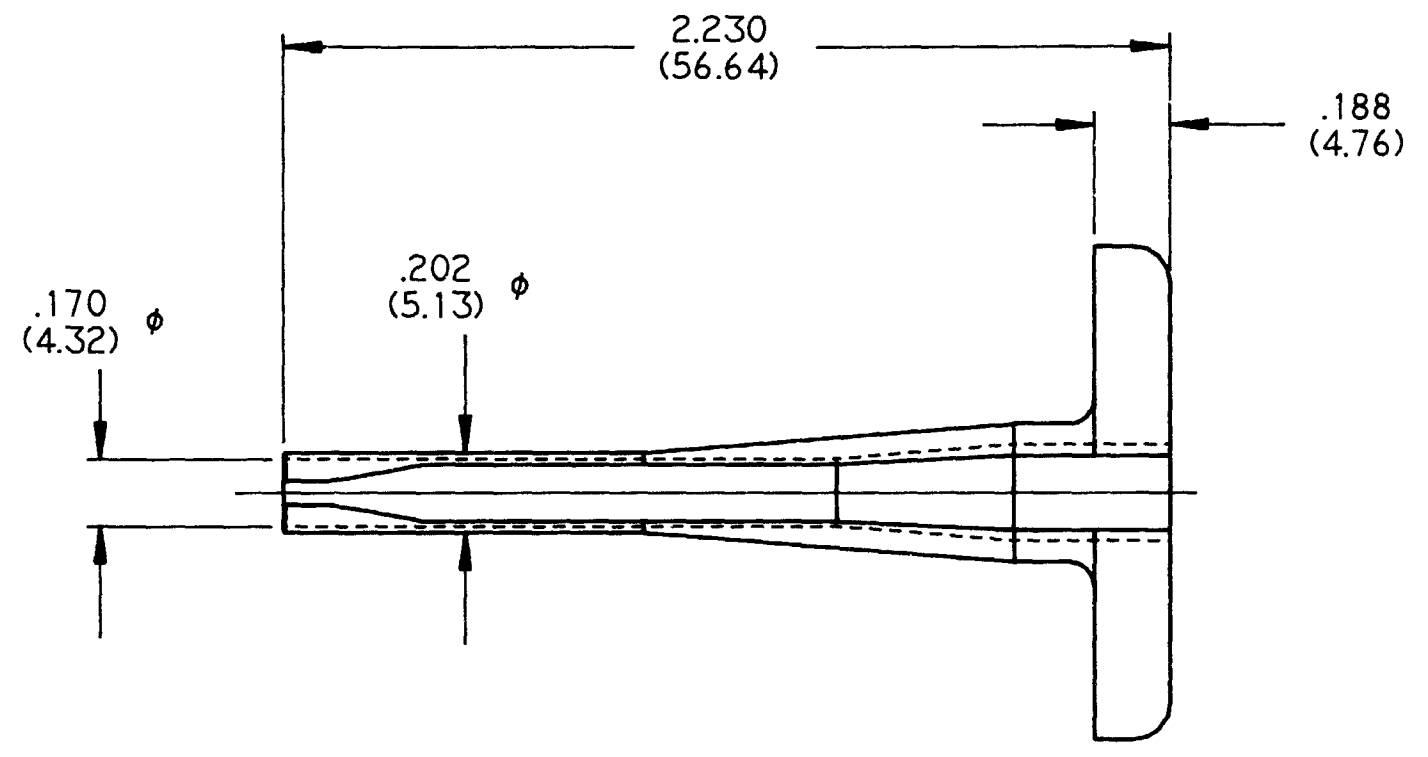


REV
NC 0411-337-1205

REVISIONS			
SYM	DESCRIPTION	DATE	APPROVED
NC	NEW RELEASE PER E.O. A14617	7-1-94	R. Reed



- NOTES:
1. ALL DIMENSIONS ARE IN INCHES (METRIC).
 2. ALL DIMENSIONS ARE FOR REFERENCE ONLY.
 3. MATERIAL: PLASTIC, COLOR ORANGE.

SIGNATURE & DATE	
DR	C. WOODRUFF 16 JUN 94
CHK	
PE	<i>[Signature]</i>
APPD	R. Reed 7-1-94
SCALE	NONE
WT	

PROBE TOOL
EXTRACTION
SIZE 12
REDUCED 'E' SEAL

ENVELOPE

CP	MATL. CODE
The Deutsch Company DEUTSCH I.P.D. 37140 INDUSTRIAL AVE. HEMET, CALIF. 92343	
0411-337-1205	
DWG SIZE	CODE 11139 SHEET 1 OF 1