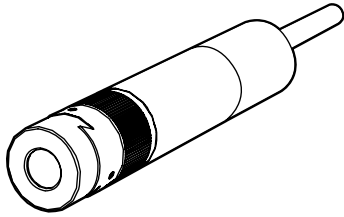


Datasheet




- Laser line uniformity up to 95% on 100% of the line
- External user focus mechanism
- Photo feedback for optimal power stability up to 500 kHz
- Dynamic line balancing for repeatable performance
- Robust thermal management, providing better stability and longer lifetime
- Remote laser monitoring and control via RS-232 communication
- Precision refractive optics

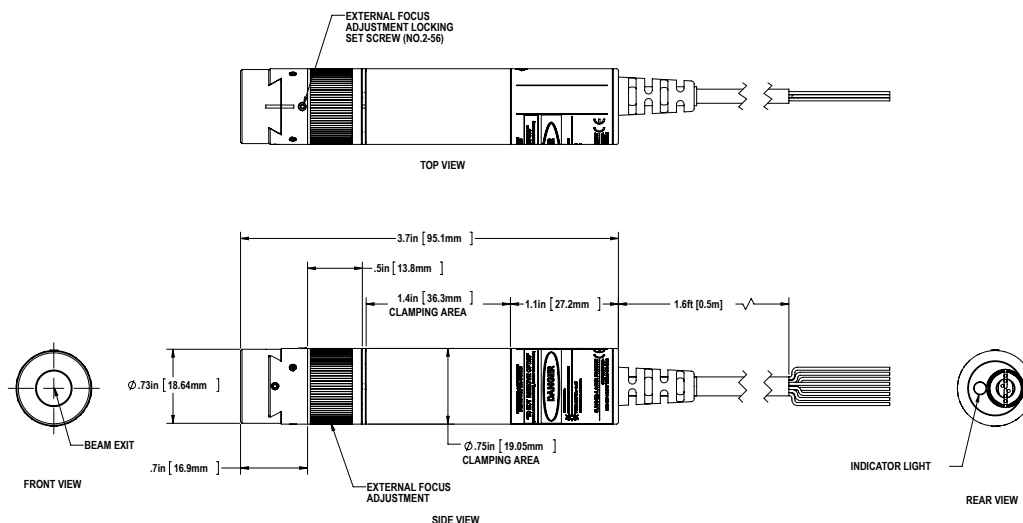
Model	Description
LLG660P10A60II	Laser Line Generator 660 nm, 10 mW, 60 degree fan angle, Class II CDRH, 0.5 m cable with flying leads

The length of generated line is a function of the laser fan angle and the working distance of the object. The fan angle of the laser is 60°, making the length of the generated laser line is equal to the working distance.

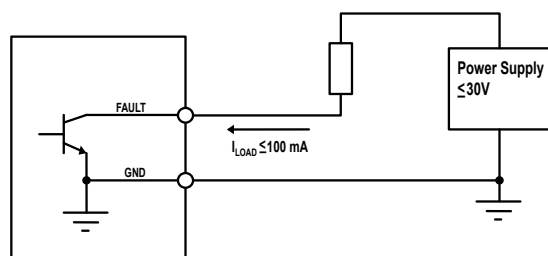
Specifications

Wavelength 660 nm Center wavelength at 25 °C	Input Impedance 1.5 kΩ
Output Power 10 mW max.	Beam Angle < 3 mrad
Operating Voltage 5 to 24V dc	Fan Angles 60° at 80% clip
Operating Current 185 mA max. at 25 °C	Pointing Stability Over Temperature < 10 μrad/°C
Power Consumption 3 W max.	RMS Noise (20 Hz to 20 MHz) < 0.5 %
Long-Term Power Stability (8 hrs ± 3°C) < 5 %	Peak to Peak Noise (20 Hz to 20 MHz) < 1%
ESD Protection Level 4	Warm-Up Time < 5 minutes from cold start
Straightness (%) > 25 mm Line 0.1%	Mechanical Specifications Weight: < 70 g Length: 95 mm standard configuration; 98 mm accessory configuration Diameter: 19.05 mm Material : Black anodized AL 6061T1
Ambient Temperature Operating Conditions: -10 °C to +50 °C (+14 °F to +122 °F) Non-Operating Conditions: -20 °C to +60 °C (-4 °F to +140 °F)	Connection 0.5 m (1.6 ft) cable with flying leads
Shock Tolerance (g) (6ms) 30	Certification 
Wavelength tolerance +7 nm/-10 nm	

Dimensions



Hookup



Wire Color	Assignment
Black	V ground
Blue	V mod
Red/Black	V mod ground
White	RS 232 Recv
White/Black	RS 232 ground
Orange	RS 232 Trans
Red	V in
Green	Fault

Fault output is an open collector of the transistor that allows wire junction OR functionality with fault signals from other devices. The output can tolerate voltage up to 30V and can drain the current up to 100 mA. The circuit is protected from over current by recoverable fuse.

Definitions

- Uniformity:** Max relative intensity variation over 100% of the time

$$U = (I_{max} - I_{min}) \div (I_{max} + I_{min})$$
- Contained Power:** Power contained in the 100% line at the 80% Clip versus the power contained in the 13.5% Clip

$$CP = 80\%P \div 13.5\%P$$
- Line Length / Fan Angle:** Fan angle is the angle of the projection taken at the 80% Clip
 Line length is the physical length at a given working distance taken at the 80% Clip
- Relative Illumination Floor:** This is the minimum relative intensity at any point on the define line length
 Measured as a % of the normalized intensity
- Straightness:** Deviation from best fit line

$$\Delta = \Delta_1 + \Delta_2$$

$$S = (\Delta/L) * 100$$

Power Supply

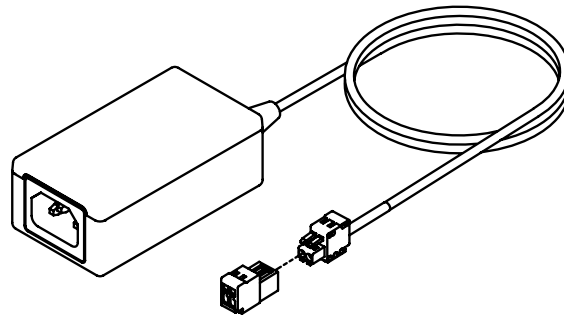


Figure 1. PSLLG12V 12V Terminal Block Power Supply

Cautions and Warnings



Danger:

Do not point the laser toward an eye. Wear appropriate laser safety goggles at all times when the laser is operational.



Danger:

The laser light emitted by this laser may be in the infrared area of the electromagnetic spectrum and may not be visible to the human eye. Use extreme caution at all times when using the laser.



Danger:

The output power of this laser is high enough to cause permanent damage to the human eye. Wear appropriate laser safety goggles at all times when the laser is operational.



WARNING: Not To Be Used for Personnel Protection

Never use this device as a sensing device for personnel protection. Doing so could lead to serious injury or death. This device does not include the self-checking redundant circuitry necessary to allow its use in personnel safety applications. A sensor failure or malfunction can cause either an energized or de-energized sensor output condition.



WARNING:

These structured light devices meet CDRH Class II and IIIa only as complete assemblies. Removal of the optical head (image generating optics) for cleaning could expose personnel to hazardous laser radiation (sometimes equivalent to a Class IIIb/3B laser) and will void the product safety classification. Turn the laser off whenever the optical head is removed, unless alignment is being performed. Use extreme caution when performing these servicing operations and wear appropriate eyewear at all times. Servicing operations must be performed by personnel trained to manipulate Class III/3B lasers. Never look directly at a raw laser beam. Banner will not be held liable for any injuries caused by product misuse.



WARNING:

Do not place any flammable objects directly in front of the free, non-extended beam (without the line generating optics), especially with higher power beams.



WARNING:

Use caution around all laser products. Lasers are highly concentrated light sources, some invisible to the eye. Never point a laser beam into your—or any other person's—eyes; permanent damage to the retina can occur!

**WARNING:**

Use extreme caution at all times when the laser is in use.

Banner Engineering Corp Limited Warranty

Banner Engineering Corp. warrants its products to be free from defects in material and workmanship for one year following the date of shipment. Banner Engineering Corp. will repair or replace, free of charge, any product of its manufacture which, at the time it is returned to the factory, is found to have been defective during the warranty period. This warranty does not cover damage or liability for misuse, abuse, or the improper application or installation of the Banner product.

THIS LIMITED WARRANTY IS EXCLUSIVE AND IN LIEU OF ALL OTHER WARRANTIES WHETHER EXPRESS OR IMPLIED (INCLUDING, WITHOUT LIMITATION, ANY WARRANTY OF MERCHANTABILITY OR FITNESS FOR A PARTICULAR PURPOSE), AND WHETHER ARISING UNDER COURSE OF PERFORMANCE, COURSE OF DEALING OR TRADE USAGE.

This Warranty is exclusive and limited to repair or, at the discretion of Banner Engineering Corp., replacement. IN NO EVENT SHALL BANNER ENGINEERING CORP. BE LIABLE TO BUYER OR ANY OTHER PERSON OR ENTITY FOR ANY EXTRA COSTS, EXPENSES, LOSSES, LOSS OF PROFITS, OR ANY INCIDENTAL, CONSEQUENTIAL OR SPECIAL DAMAGES RESULTING FROM ANY PRODUCT DEFECT OR FROM THE USE OR INABILITY TO USE THE PRODUCT, WHETHER ARISING IN CONTRACT OR WARRANTY, STATUTE, TORT, STRICT LIABILITY, NEGLIGENCE, OR OTHERWISE.

Banner Engineering Corp. reserves the right to change, modify or improve the design of the product without assuming any obligations or liabilities relating to any product previously manufactured by Banner Engineering Corp.