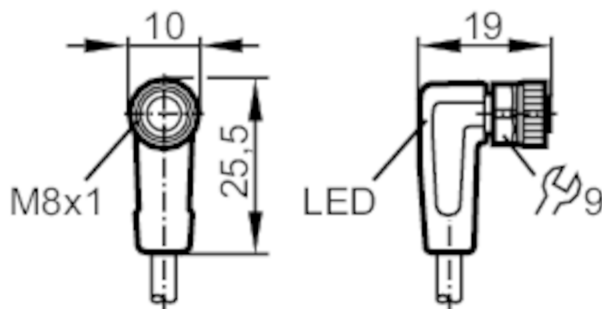


# EVC148



## Female cordset

ADOAF032MSS0005H03



Application	
System	Free from silicone; Halogen-free; gold-plated contacts; Drag chain suitability
Free from silicone	yes
Electrical data	
Operating voltage [V]	10...36 DC
Protection class	III
Max. current load total [A]	3
Outputs	
Electrical design	PNP
Operating conditions	
Ambient temperature [°C]	-25...90
Note on ambient temperature	cULus: ...80
Ambient temperature (moving) [°C]	-25...90
Note on ambient temperature (moving)	cULus: ...80
Protection	IP 65; IP 67; IP 68; IP 69K
Tests / approvals	
MTTF [years]	31710

# EVC148



## Female cordset

ADOAF032MSS0005H03

Mechanical data		
Weight [g]	110.8	
Dimensions [mm]	19 x 10 x 25.5	
Material	housing: TPU (urethane) black transparent; sealing: FKM	
Material nut	brass, nickel-plated	
Drag chain suitability	yes	
Drag chain suitability	Bending radius for flexible applications	min. 10 x cable diameter
	Travel speed	max. 3.3 m/s for a horizontal travel length of 5 m and max. acceleration of 5 m/s <sup>2</sup>
	Bending cycles	> 5 Mio.
	Torsional strain	± 180 °/m

Displays / operating elements		
Display	Switching status	1 x LED, yellow
	Power	1 x LED, green

Remarks	
Pack quantity	1 pcs.

Electrical connection	
Cable: 5 m, PUR, Halogen-free, black, Ø 3.7 mm; 3 x 0.25 mm <sup>2</sup> (32 x Ø 0.1 mm )	

Electrical connection - Socket	
Connector: 1 x M8, angled; Locking: brass, nickel-plated; Contacts: gold-plated; Tightening torque: 0.3...0.5 Nm	



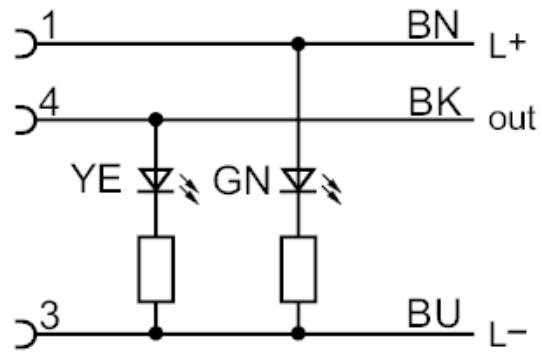
# EVC148



## Female cordset

ADOAF032MSS0005H03

### Connection



Core colors :

BK = black  
BN = brown  
BU = blue