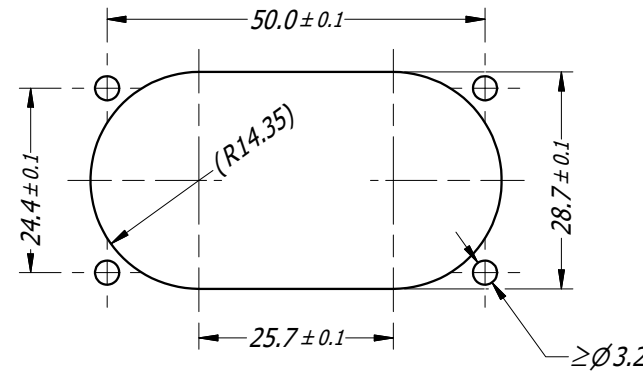
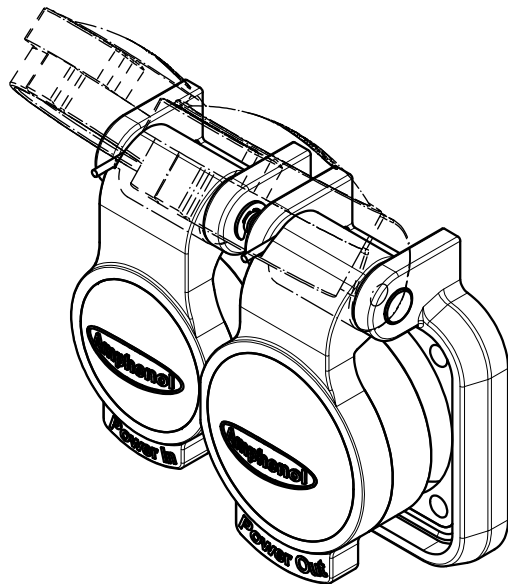
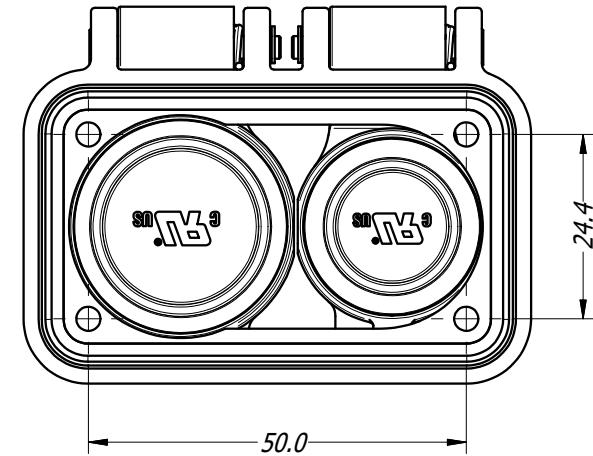
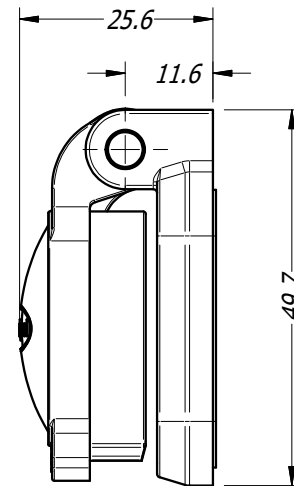
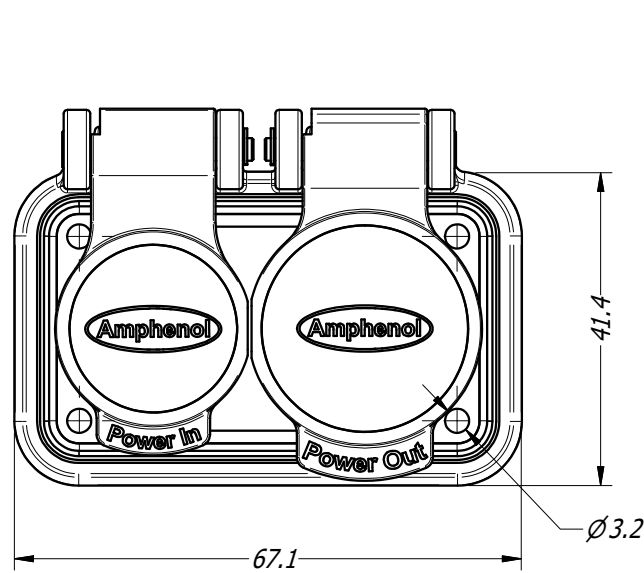


CAUS



PANEL CUTOUT

- NOTES**
 - USE #4 OR M3 SCREW.
 - TIGHTEN TO 0.4 N-m (3.5 lb-in)

UNLESS OTHERWISE SPECIFIED TOLERANCE TO BE		THIS DOCUMENT IS THE PROPERTY OF AMPHENOL AUSTRALIA PTY. LTD. NO PART THEREOF MAY BE REPRODUCED AND USED WITHOUT THE PRIOR WRITTEN CONSENT OF THE OWNER.				Amphenol Amphenol Australia Pty.Ltd, 22 Industry Blvd Carrum Downs, VIC 3201	
LINEAR		ANGULAR		MATERIAL:	DRN: T.N	DATE: 26/07/19	TITLE: PROTECTIVE CAP HPT SERIES DUAL P/M SPRING LOADED
X ± 0.5	X' ± 1	X.X ± 0.1	X.X' ± 30'		CKD: P.M	DATE: 26/07/19	PART No: HPT-CAPSD
X.XX ± 0.05	X.XX" ± 15'	BREAK ALL SHARP EDGES AND REMOVE ALL BURRS		FINISH:	APP'D: P.M	DATE: 26/07/19	REV 1
DO NOT SCALE		DIMENSIONS IN MILLIMETRES		THIRD ANGLE PROJECTION	SCALE: 1:1	SIZE: A4	DRAWING No. 55011286-000-4
							SHEET 4/4