



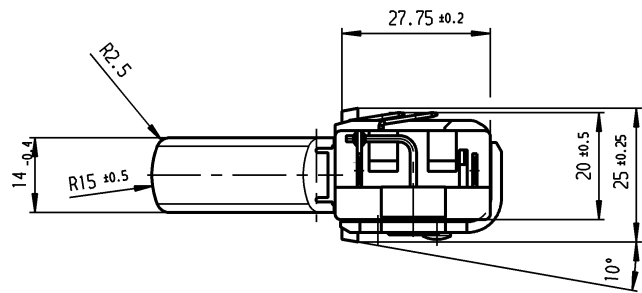
Marquardt Mechatronik GmbH
Schloss-Str. 16
78604 Rietheim-Weilheim
Germany

Phone: +49 (0) 7424 / 99-0
Fax: +49 (0) 7424 / 99-2399
Net: www.marquardt.de
E-mail: marquardt@marquardt.de

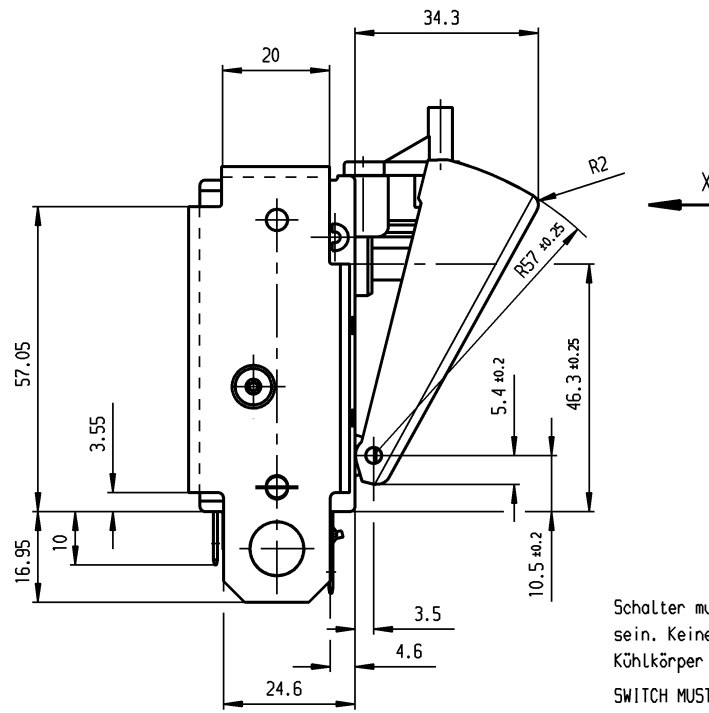
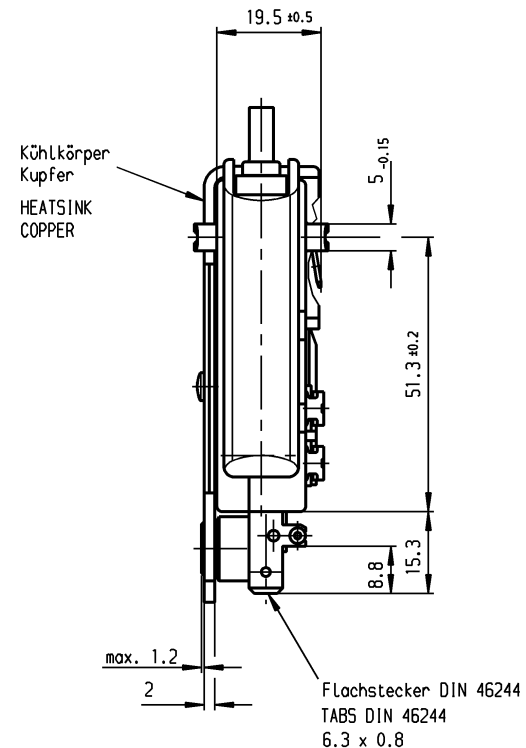
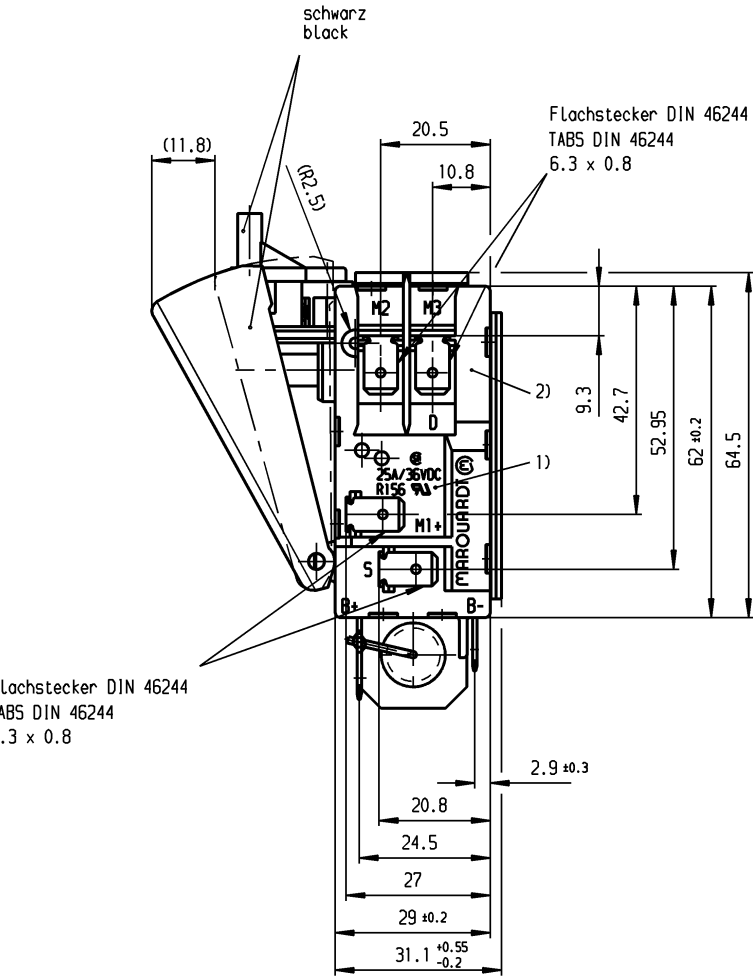
Technical data

Product number	2709.5101
Business unit	Power tool switches
Product Manager	Müller
Product family	Power tool switches
EW category	DC actuator
Actuation type	direct
Packing unit	24
Packing type	in box
Weight	51.600 g
Auxiliary contacts	with brake contact / with bridge contact
ROHS conform	yes
Output	Katalog-EW
Switching function	Normally open contact (SPNO)
Material fixed contact	Ag
	Switching function normally open
	Number of poles 1
	Mechanical life 1E5
	Electrical life 1E5
Contact system	Switching function Changeover switch
	Number of poles 1
	Mechanical life 5E4
	Electrical life 5E4
Number of poles	10 - pole
connections	battery side: Quick-connect terminal, 6.3 x 0.8 motor side: Quick-connect terminal, 6.3 x 0.8 additional connection: Quick-connect terminal, 6.3 x 0.8
Mechanical life endurance	1E5
Rating North America	25 A 36 V DC
Protection type	Connection IP 40 Actuator IP 40
Actuators and additional actuators	actuator: PA, black R-L lever: PA, black switch-on bar: in middle position
Housing description	cover: PA glass fiber-reinforced, black base plate: PA glass fiber-reinforced, black
Connection surface	bearing connection silver plated external connection silver plated
Contact material	Ag
Contact distance	> 1,8 mm
Electronics basic function	pulse width actuator DC
Electronics additional function	non feedback control
Analog/digital	analog
Electronic adjustment specifications	36V DC
Power specification of components	with external diode
Heat sink material	copper
Rating Code UL	R 156

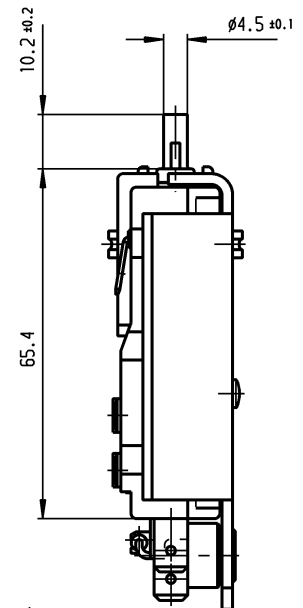
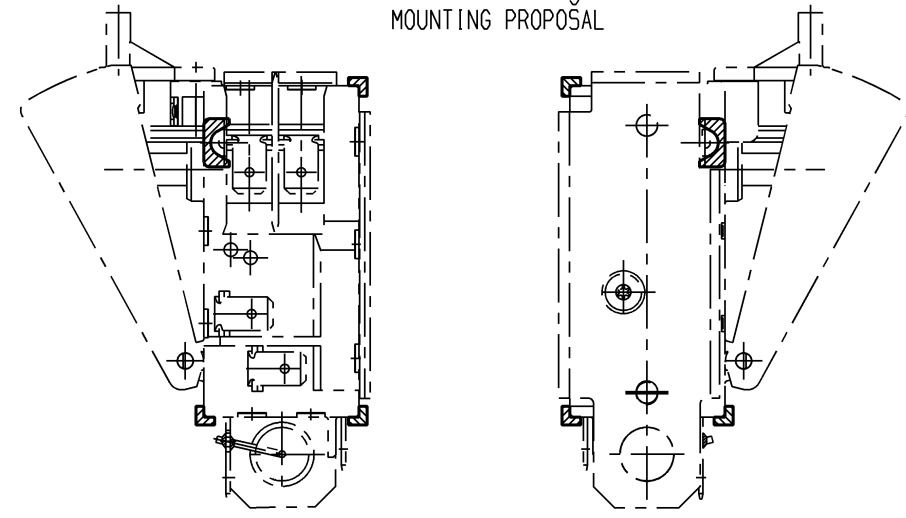
Contact type	lifting contact
Approval marks	CSA / UL
Additional labeling	year/week of manuf. acc. to DIN EN 60062
Type of fastening	fastening by insertion



VERTRAULICH-CONFIDENTIAL
 © Alle Rechte bei Marquardt, auch fuer den Fall von Schutzrechtsmeldungen. Jede Verfuegungsbefugnis, wie Kopier- und Weitergaberecht, bei uns.
 © This document is the exclusive property of Marquardt. Without our consent, it may not be reproduced or given to third parties.



Einbauvorschlag
MOUNTING PROPOSAL



Flachstecker DIN 46244
TABS DIN 46244
6.3 x 0.8

Schalter muß spannungsfrei in Griffschale eingebaut sein. Keine Krafteinwirkung auf Schaltergehäuse oder Kühlkörper zulässig.
SWITCH MUST BE ASSEMBLED IN HANDLE WITHOUT STRESS ON HOUSING OR HEATSINK

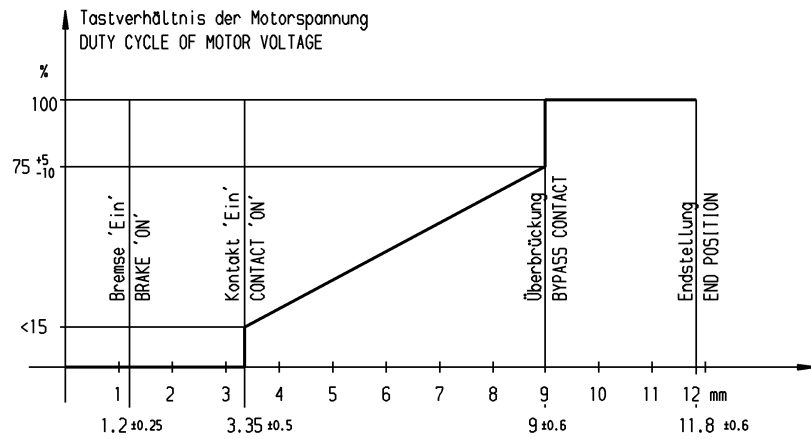
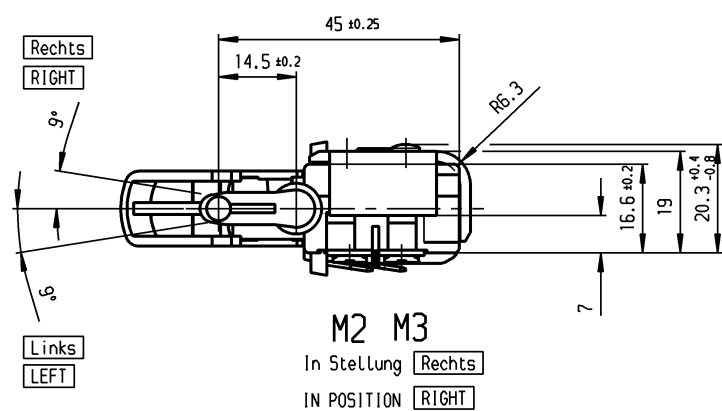
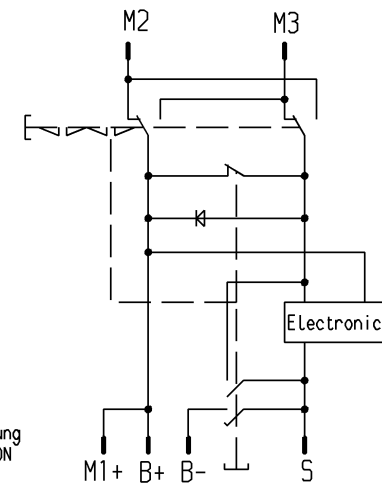
Marquardt - Benutzerhinweise beachten!
SEE ALSO MARQUARDT ASSEMBLY AND INSTRUCTION MANUAL

Aufschrift:
MARKING:
MARQUARDT

- 1) 25A/36VDC
R156
- 2) 2709.5101
Herstelljahr/- woche
DATE OF PRODUCTION: YEAR AND WEEK

Auf Verpackung: / ON BOX:

Schliesser 1-polig mit Überbrückungskontakt
NORMALLY OPEN 1-POLE WITH BYPASS CONTACT
R/L-Schalter, Bremse, Einschaltsperrung in Mittelstellung
REVERSING LEVER AND BRAKE, LOCK-OFF IN MIDDLE POSITION
DC-Steller 36V/25A
DC-SPEED-CONTROL 36V/25A
1 MOSFET, externe Freilaufdiode
1 MOSFET, EXTERNAL FREEWHEELING DIODE



Drückerweg bei X
TRIGGER TRAVEL AT X

Allgemeintoleranzen/UNTOLERANCED DIMENSIONS				PROJECTION		Pause COPY	Blatt SHEET 01	Zechn./DRAWING NO.	
Für Längen und Radien FOR LENGTHS AND RADII.		Abmaße in mm für Nennmaßbereich in mm ALL DIMENSIONS ARE IN MILLIMETRES		Für Winkel FOR ANGLE		Original DIN A2	Maßstab SCALE 1:1	K 2709.5101	
bis/UP TO	über/OVER	bis/UP TO	über/OVER	± 2°		0 10 20 30 mm			
±	0.2	0.4	0.6						
d	41691	24.11.04	mm	i					
c	29045	06.07.00	uL	h		gez./DRAWN BY 07.10.98 lc			
b	27805	21.02.00	uL	g		gepr./CHECKED BY			
o	27401	22.03.99	US	f					
				e	108716	18.04.17	Ersatz für/REPLACEMENT OF		
Ausg. ISSUE	Änderung REVISION	gez. DRAWN BY		Ausg. ISSUE	Änderung REVISION	gez. DRAWN BY			

Geräteschalter
SWITCH

MARQUARDT
Marquardt, D-78604 Rietheim-Weilheim