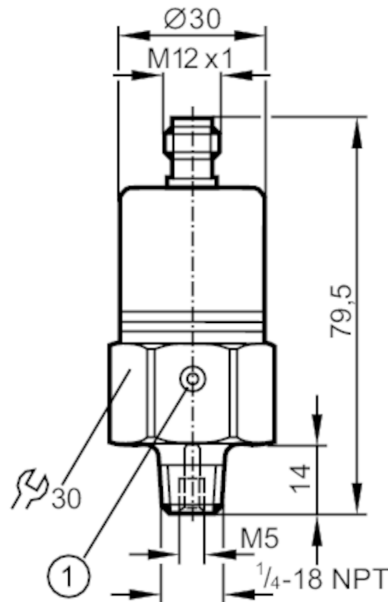


# PX9119



## Pressure transmitter with ceramic measuring cell

PA-0-1PRBN14-B-DVG/US/ IV



1 ventilation



### Product characteristics

Output signal	analog signal
Measuring range [psi]	-14.5...0
Process connection	threaded connection 1/4 NPT external thread Internal thread M5

### Application

System	gold-plated contacts
Application	for industrial applications
Media	liquids and gases
Medium temperature [°C]	-25...90
Pressure rating [psi]	145
Min. bursting pressure [psi]	450
Type of pressure	relative pressure; vacuum

### Electrical data

Operating voltage [V]	16...32 DC
Current consumption [mA]	< 18
Min. insulation resistance [MΩ]	100; (500 V DC)
Protection class	III
Reverse polarity protection	yes

### Inputs / outputs

Number of inputs and outputs	Number of analog outputs: 1
------------------------------	-----------------------------

# PX9119



## Pressure transmitter with ceramic measuring cell

PA-0-1PRBN14-B-DVG/US/ IV

Outputs		
Total number of outputs		1
Output signal		analog signal
Number of analog outputs		1
Analog voltage output	[V]	10...0
Min. load resistance	[Ω]	2000
Overload protection		yes
Measuring/setting range		
Measuring range	[psi]	-14.5...0
Accuracy / deviations		
Repeatability	[% of the span]	< 0,1; (with temperature fluctuations < 10 K)
Characteristics deviation	[% of the span]	< ± 0,25 (BFSL) / < ± 0,5 (LS); (BFSL = Best Fit Straight Line; LS = limit value setting)
Long-term stability	[% of the span]	< ± 0,05; (per 6 months)
Temperature coefficient zero point	[% of the span / 10 K]	0,15; (0...80 °C)
Temperature coefficient span	[% of the span / 10 K]	0,2; (0...80 °C)
Reaction times		
Step response time analogue output	[ms]	3
Operating conditions		
Ambient temperature	[°C]	-25...80
Storage temperature	[°C]	-40...100
Protection		IP 65
Tests / approvals		
EMC	EN 61000-4-2 ESD	4 kV CD / 8 kV AD
	EN 61000-4-3 HF radiated	30 V/m
	EN 61000-4-4 Burst	2 kV
	EN 61000-4-6 HF conducted	10 V
	radiation of interference	according to the automotive directive 2004/104/EC / CISPR 25
	noise immunity	according to the automotive directive 2004/104/EC / ISO 11452-2
	HF radiated	100 V/m
Shock resistance	pulse resistance	ISO 7637-2 / severity level 3
	DIN IEC 68-2-27	50 g (11 ms)
Vibration resistance	DIN IEC 68-2-6	20 g (10...2000 Hz)
MTTF	[years]	531
Pressure equipment directive		sound engineering practice; can be used for group 2 fluids; group 1 fluids on request

# PX9119



## Pressure transmitter with ceramic measuring cell

PA-0-1PRBN14-B-DVG/US/ IV

Mechanical data	
Weight [g]	212.5
Material	stainless steel (1.4404 / 316L); FKM; PA; EPDM/X
Materials (wetted parts)	stainless steel (1.4305 / 303); ceramics; FKM
Min. pressure cycles	100 million
Process connection	threaded connection 1/4 NPT external thread Internal thread M5
Restrictor element integrated	no (can be retrofitted)

Remarks	
Pack quantity	1 pcs.

### Electrical connection

Connector: 1 x M12; Contacts: gold-plated



### Connection

