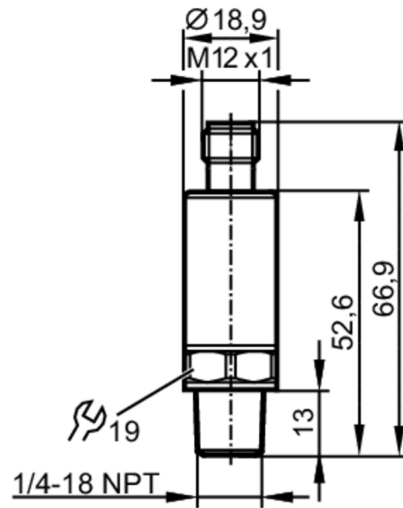


PT2434



Pressure transmitter

PT-030PSEN14-A-ZVG/US/ IW



Product characteristics

| | |
|-----------------------|---|
| Output signal | analog signal |
| Measuring range [psi] | 0...300 |
| Process connection | threaded connection 1/4 NPT external thread |

Application

| | |
|--|-----------------------------|
| Application | for industrial applications |
| Media | liquids and gases |
| Medium temperature [°C] | -40...90 |
| Pressure rating [psi] | 940 |
| Note on pressure rating | static |
| Min. bursting pressure [psi] | 8700 |
| Vacuum resistance [psi] | -14.5 |
| Type of pressure | relative pressure |
| MAWP (for applications according to CRN) [bar] | 65 |
| MAWP (for applications according to CRN) [psi] | 940 |

Electrical data

| | |
|---------------------------------|-----------------|
| Operating voltage [V] | 8.5...36 DC |
| Min. insulation resistance [MΩ] | 100; (500 V DC) |
| Protection class | III |
| Reverse polarity protection | yes |

Inputs / outputs

| | |
|------------------------------|-----------------------------|
| Number of inputs and outputs | Number of analog outputs: 1 |
|------------------------------|-----------------------------|

PT2434



Pressure transmitter

PT-030PSEN14-A-ZVG/US/ IW

| Outputs | | |
|--|--|---------------------|
| Total number of outputs | 1 | |
| Output signal | analog signal | |
| Number of analog outputs | 1 | |
| Analog current output [mA] | 4...20 | |
| Max. load [Ω] | 720; ($U_b = 24 \text{ V}$; ($U_b - 8,5 \text{ V}$) / 21,5 mA) | |
| Short-circuit proof | yes | |
| Overload protection | yes | |
| Measuring/setting range | | |
| Measuring range [psi] | 0...300 | |
| Accuracy / deviations | | |
| Repeatability [% of the span] | $< \pm 0,05$; (with temperature fluctuations $< 10 \text{ K}$) | |
| Characteristics deviation [% of the span] | $< \pm 0,5$; (incl. drift when overtightened, zero point and span error, non-linearity, hysteresis) | |
| Linearity deviation [% of the span] | $< \pm 0,1$ (BFSL) / $< \pm 0,2$ (LS) | |
| Hysteresis deviation [% of the span] | $< \pm 0,2$ | |
| Long-term stability [% of the span] | $< \pm 0,1$; (per 6 months) | |
| Temperature coefficient zero point and span [% of the span / 10 K] | $< 0,1$ ($-25...90 \text{ }^\circ\text{C}$) / $< 0,2$ ($-40...-25 \text{ }^\circ\text{C}$) | |
| Reaction times | | |
| Step response time analogue output [ms] | 1 | |
| Operating conditions | | |
| Ambient temperature [$^\circ\text{C}$] | -40...90 | |
| Storage temperature [$^\circ\text{C}$] | -40...100 | |
| Protection | IP 67; IP 69K | |
| Tests / approvals | | |
| EMC | DIN EN 61000-6-2 | |
| | DIN EN 61000-6-3 | |
| Shock resistance | DIN EN 60068-2-27 | 50 g (11 ms) |
| Vibration resistance | DIN EN 60068-2-6 | 20 g (10...2000 Hz) |
| MTTF [years] | | 784 |
| Pressure equipment directive | sound engineering practice; can be used for group 2 fluids; group 1 fluids on request | |
| Mechanical data | | |
| Weight [g] | 58 | |
| Material | 1.4542 (17-4 PH / 630); stainless steel (1.4404 / 316L); PEI | |
| Materials (wetted parts) | 1.4542 (17-4 PH / 630) | |
| Min. pressure cycles | 60 million; (at 1.2 times nominal pressure) | |
| Tightening torque [Nm] | < 50 ; (recommended tightening torque; Depends on lubrication, seal and pressure rating) | |
| Process connection | threaded connection 1/4 NPT external thread | |
| Restrictor element integrated | no (can be retrofitted) | |

PT2434



Pressure transmitter

PT-030PSEN14-A-ZVG/US/ IW

Remarks

Remarks

BFSL = Best Fit Straight Line

LS = limit value setting

Pack quantity

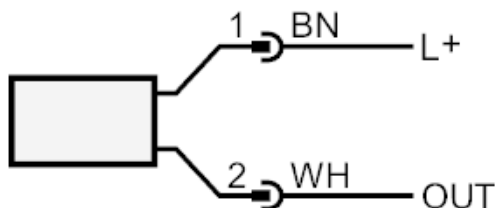
1 pcs.

Electrical connection

Connector: 1 x M12



Connection



OUT analog output
 Colours to DIN EN 60947-5-2
 Core colors :
BN = brown
WH = white