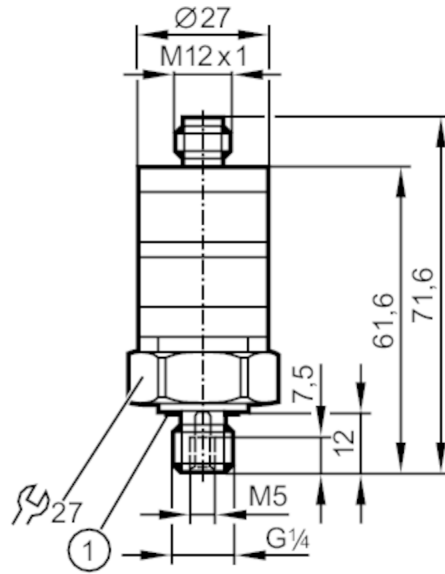


PK6524



Pressure switch with intuitive switch point setting

PK-010-RFG14-HCPKG/US/ IW



1 sealing



Product characteristics

Output signal	switching signal	
Measuring range	0...10 bar	0...145 psi
Process connection	threaded connection G 1/4 external thread Internal thread M5	

Application

Application	for industrial applications	
Media	liquids and gases	
Medium temperature [°C]	-25...80	
Pressure rating	25 bar	362 psi
Min. bursting pressure	300 bar	4350 psi
Type of pressure	relative pressure	
MAWP (for applications according to CRN)	25 bar	362 psi

Electrical data

Operating voltage [V]	9.6...32 DC	
Current consumption [mA]	< 25	
Min. insulation resistance [MΩ]	100; (500 V DC)	
Protection class	III	
Reverse polarity protection	yes	

Inputs / outputs

Number of inputs and outputs	Number of digital outputs: 2
------------------------------	------------------------------

PK6524



Pressure switch with intuitive switch point setting

PK-010-RFG14-HCPKG/US/ W

Outputs		
Total number of outputs	2	
Output signal	switching signal	
Electrical design	PNP	
Number of digital outputs	2	
Output function	complementary	
Max. voltage drop switching output DC [V]	2	
Permanent current rating of switching output DC [mA]	500	
Switching frequency DC [Hz]	100	
Short-circuit protection	yes	
Type of short-circuit protection	yes (non-latching)	
Overload protection	yes	
Measuring/setting range		
Measuring range	0...10 bar	0...145 psi
Set point SP	0.5...10 bar	7.5...145 psi
Reset point rP	0.3...9.8 bar	5...142 psi
Accuracy / deviations		
Switch point accuracy [% of the final value]	< ± 2,5; (Setting accuracy)	
Repeatability [% of the final value]	< ± 0,5; (with temperature fluctuations < 10 K)	
Characteristics deviation [% of the final value]	< ± 1,5 (BFSL) / < ± 2,5 (LS); (BFSL = Best Fit Straight Line; LS = limit value setting)	
Temperature drift per 10 K	< ± 0.5	
Software / programming		
Adjustment of the switch point	setting rings	
Operating conditions		
Ambient temperature [°C]	-25...80	
Storage temperature [°C]	-40...100	
Protection	IP 67	
Tests / approvals		
EMC	DIN EN 61000-6-2	
	DIN EN 61000-6-3	
Shock resistance	DIN EN 60068-2-27	50 g (11 ms)
Vibration resistance	DIN EN 60068-2-6	20 g (10...2000 Hz)
MTTF [years]	500	
Pressure equipment directive	sound engineering practice; can be used for group 2 fluids; group 1 fluids on request	

PK6524



Pressure switch with intuitive switch point setting

PK-010-RFG14-HCPKG/US/ IW

Mechanical data	
Weight [g]	92.5
Material	PBT; PC; FKM; stainless steel (1.4404 / 316L)
Materials (wetted parts)	stainless steel (1.4404 / 316L); FKM
Min. pressure cycles	50 million
Tightening torque [Nm]	25
Process connection	threaded connection G 1/4 external thread Internal thread M5
Restrictor element integrated	no (can be retrofitted)

Displays / operating elements		
Display	Power	LED, green
	Switching status	LED, yellow
With scale	yes	

Remarks	
Pack quantity	1 pcs.

Electrical connection

Connector: 1 x M12



Connection

