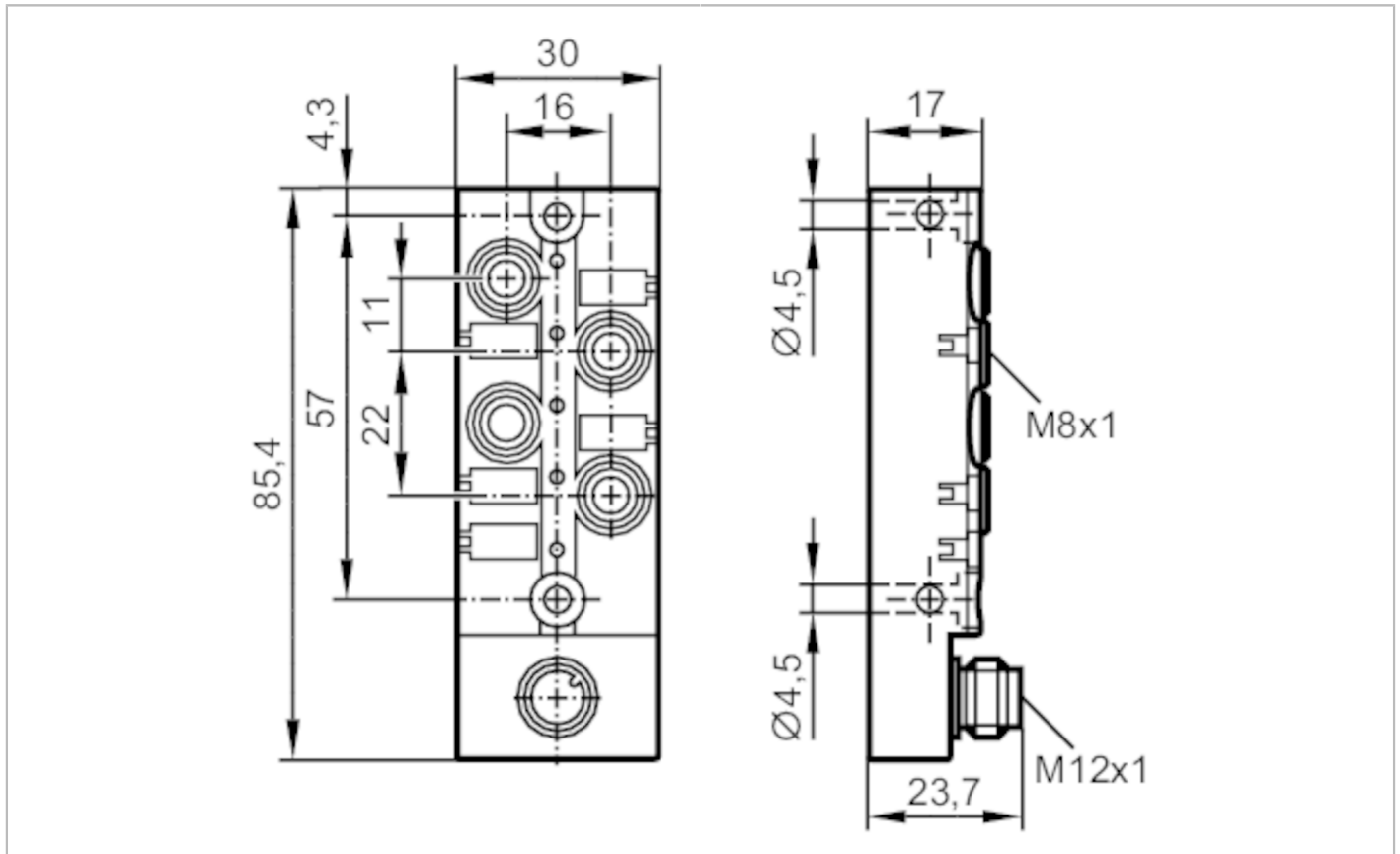


EBC050



Wiring block

ZDO4F035MSS0000---STGH080MSS



Application	
System	gold-plated contacts
Electrical data	
Operating voltage [V]	10...30 DC; (cULus - Class 2 source required)
Protection class	III
Max. current load per module/slot [A]	2
Max. current load total [A]	2
Outputs	
Electrical design	PNP
Operating conditions	
Ambient temperature [°C]	-25...80
Ambient temperature (moving) [°C]	-5...60
Protection	IP 67; IP 68; (1 m / 7 days)
Mechanical data	
Weight [g]	88.5
Dimensions [mm]	23.7 x 30 x 85.4
Material	PBT-GF20; brass nickel-plated
Number of ports splitter box	4
Connector type	M8

EBC050



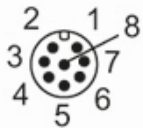
Wiring block

ZDO4F035MSS0000---STGH080MSS

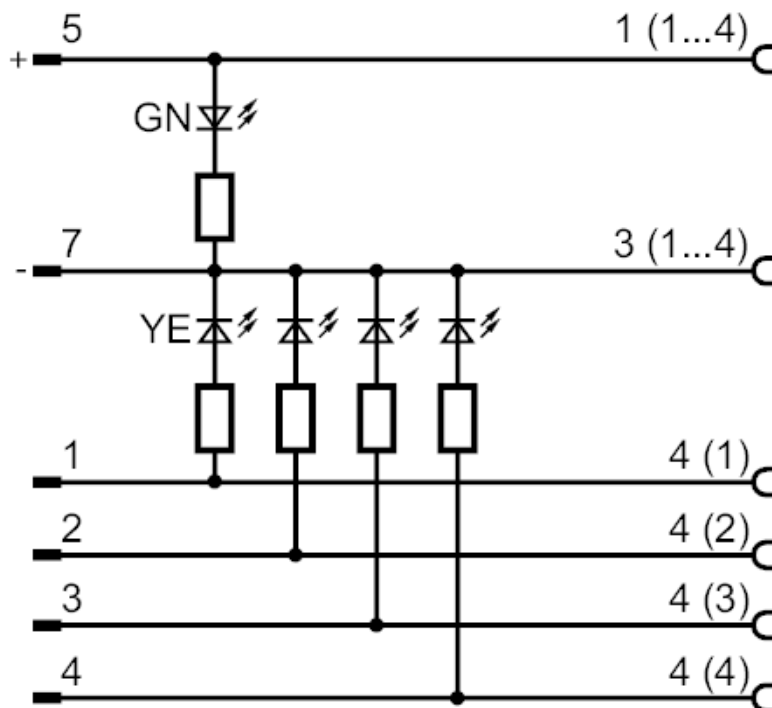
Displays / operating elements		
Display	Switching status	4 x LED, yellow
	Power	1 x LED, green
Accessories		
Accessories (optional)	DIN rail adapter., E73006	
	Protective caps, for female M8 connectors, E73005	
Remarks		
Pack quantity	1 pcs.	

Electrical connection - Connection

Connector: 1 x M12; Moulded body: PBT-GF 20 / brass, nickel-plated; Contacts: gold-plated



Connection



Electrical connection - slot

Connector: 4 x M8; Moulded body: PBT-GF 20 / brass, nickel-plated; Contacts: gold-plated

EBC050

Wiring block

ZDO4F035MSS0000---STGH080MSS

