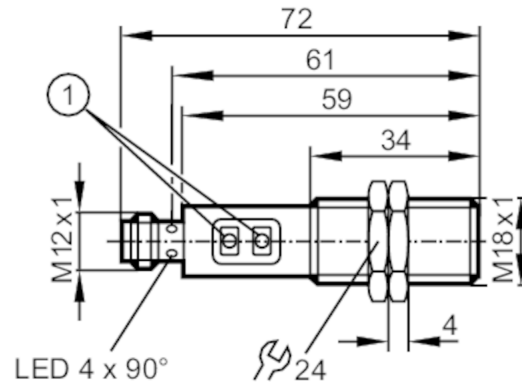




Diffuse reflection sensors with background suppression

OGH-FNKG/US100



1 Programming buttons



Product characteristics

Type of light	red light
Housing	Threaded type
Dimensions [mm]	M18 x 1 / L = 72

Application

System	Background suppression
Function principle	Diffuse reflection sensor

Electrical data

Operating voltage [V]	10...36 DC
Current consumption [mA]	25
Protection class	II
Reverse polarity protection	yes
Type of light	red light
Wave length [nm]	624

Outputs

Electrical design	NPN
Output function	light-on/dark-on mode; (programmable)
Max. voltage drop switching output DC [V]	2.5
Permanent current rating of switching output DC [mA]	150; (200 (...60 °C))
Switching frequency DC [Hz]	1000
Short-circuit protection	yes
Type of short-circuit protection	yes (non-latching)
Overload protection	yes

OGH502



Diffuse reflection sensors with background suppression

OGH-FNKG/US100

Monitoring range	
Range [mm]	15...300; (white paper 200 x 200 mm 90 % remission)
Factory setting	light-on mode
Range adjustable	yes
Max. light spot diameter [mm]	25
Light spot dimensions refer to	at maximum range
Background suppression available	yes

Operating conditions	
Ambient temperature [°C]	-25...80
Protection	IP 67

Tests / approvals	
EMC	EN 60947-5-2
MTTF [years]	368

Mechanical data	
Weight [g]	60.7
Housing	Threaded type
Dimensions [mm]	M18 x 1 / L = 72
Thread designation	M18 x 1
Material	stainless steel (1.4404 / 316L); PA; LCP; EPDM; TPU (urethane)
Lens material	PMMA

Displays / operating elements	
Display	Switching status 1 x LED, yellow

Accessories	
Accessories (supplied)	lock nuts: 2 x

Remarks	
Remarks	cULus - Class 2 source required
Pack quantity	1 pcs.

Electrical connection

Connector: 1 x M12





Diffuse reflection sensors with background suppression

OGH-FNKG/US100

Connection

