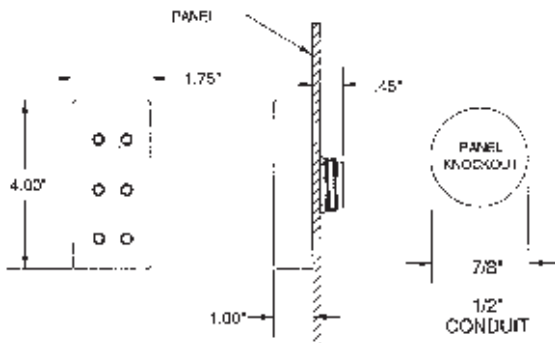
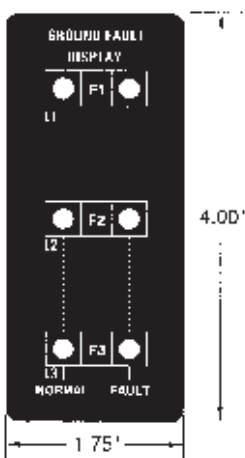


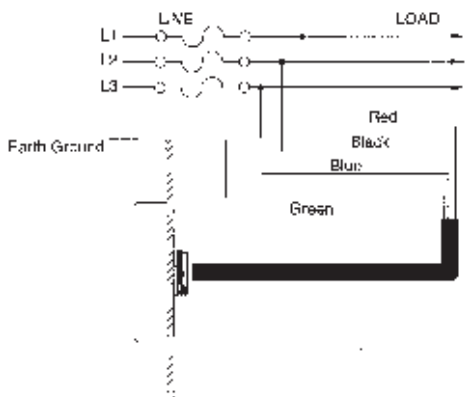


3-Phase Ground Fault Display

**DIMENSIONS (INCHES)**



**WIRING**



The ATC Diversified Electronics **GFD Series** is intended for the use on ungrounded systems to detect and indicate the phase of the first ground fault condition. This enables corrective action to avoid the potential hazards resulting from a second ground fault.

**OPERATION**

With nominal 3 phase line voltage applied, a flashing NORMAL green LED gives indication of a non-fault condition and integrity of the wire connection to the corresponding phase.

A flashing red LED gives positive FAULT indication of either a phase-to-ground fault, or a lost connection to the corresponding phase.

NOTE: Distributed capacitance to ground or equally loaded phases to ground will de-sensitize detection and will require lower phase-to-ground resistance to produce a FAULT indication.

**SPECIFICATIONS**

<b>NOMINAL VOLTAGE</b>	208-600 VAC, $\pm 10\%$ , Phase-to-Phase, 50/60 Hz	
<b>MAX. CONTINUOUS VOLTAGE</b>	660 VAC, Phase-to-Phase	
<b>REV. CONNECTION PROTECTED</b>	Yes	
<b>DETECTION THRESHOLD</b>	11.7 k $\Omega$ $\pm 20\%$ @ 50 Hz; 9.3 k $\Omega$ $\pm 20\%$ @ 60 Hz Single Phase-to-Ground	
<b>DETECTOR INDUCED FAULT CURRENT</b>	50 Hz	7.5 mA @ 600 VAC (1 Phase-to-Ground shorted)
	60 Hz	9 mA @ 600 VAC (1 Phase-to-Ground shorted)
<b>FRESNEL LENS INDICATORS</b>	Normal	(3) Green LEDs, 2 Flashes/Sec
	Fault	(3) Red LEDs, 2 Flashes/Sec
<b>APPARENT POWER REQUIRED</b>	50 Hz	2.5 VA @ 600 VAC
	60 Hz	3 VA @ 600 VAC
<b>TEMPERATURE RATINGS</b>	Operate	32° to 131°F (0° to +55°C)
	Storage	-40° to 185°F (-40° to +85°C)
<b>ENCLOSURE</b>	94V-0 Flame Retardant Black ABS Plastic, Panel Mount with 1/4" Plastic Electrical Conduit Adapter, Encapsulated for Environmental Protection	
<b>TERMINATIONS</b>	(4) 2 ft., 18 AWG, 600V, 105°C PVC Stranded Wire w/ Wire Pin Terminations, racketed with 18" Slit Nylon Corrugated Tubing, .556" O.D.	
<b>WEIGHT</b>	NET: 3.52 oz	Shipping: 5.12 oz

**ORDERING INFORMATION**

MODEL NUMBER	DESCRIPTION
GFD-100	Vertical Mount
GFD-200	Horizontal Mount