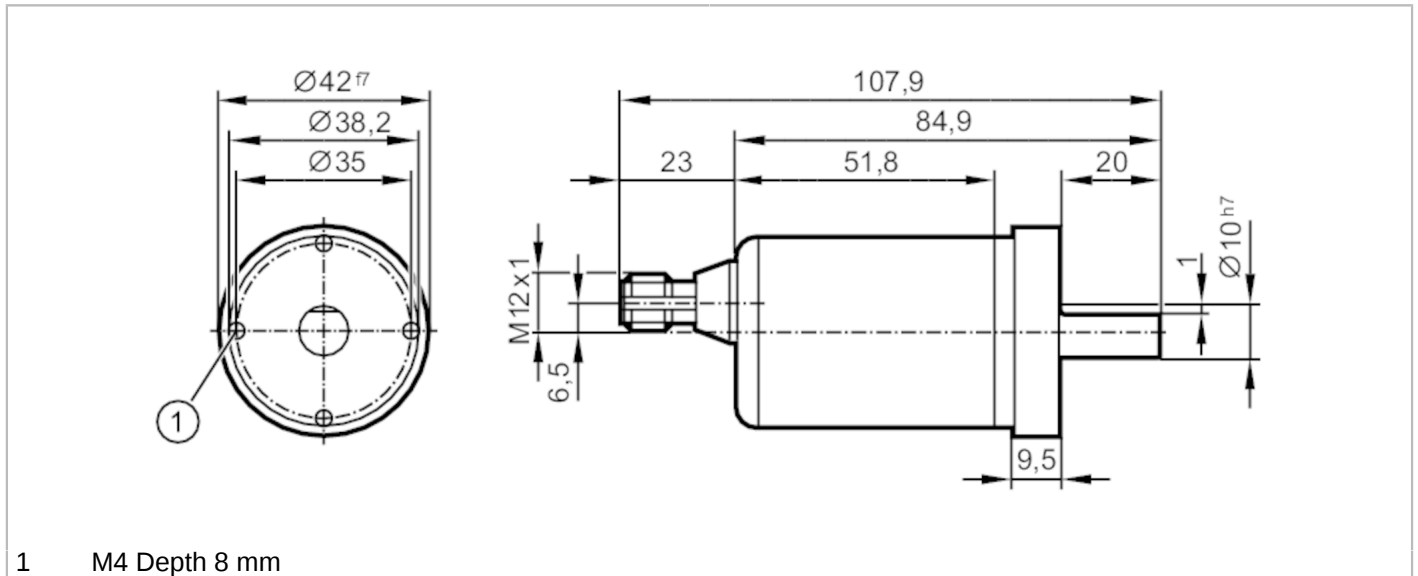


RM9010



Absolute multiturn encoder with solid shaft

RMS0024-C24/UT



1 M4 Depth 8 mm



Product characteristics	
Resolution	4096 steps; 4096 revolutions; 24 bit
Communication interface	CAN
Shaft design	solid shaft
Shaft diameter [mm]	10
Application	
Function principle	absolute
Revolution type	multiturn
Electrical data	
Operating voltage [V]	9...30 DC
Current consumption [mA]	< 100; ((10 V DC) ; ≤ 50 (24 V DC))
Protection class	III
Reverse polarity protection	yes
Outputs	
Short-circuit protection	yes
Code	binary
Measuring/setting range	
Resolution	4096 steps; 4096 revolutions; 24 bit
Accuracy / deviations	
Accuracy [°]	0.08
Software / programming	
Parameter setting options	CAN parameter; scaling; preset; Baud rate; Direction of rotation; Node ID
Interfaces	
Communication interface	CAN

RM9010



Absolute multiturn encoder with solid shaft

RMS0024-C24/UT

CAN		
Protocol	CANopen	
Factory settings	Baud rate: 125 k node ID: 32	
Version	DSP - 406	
Operating conditions		
Ambient temperature	[°C]	-40...85
Protection	IP 68; IP 69K	
Tests / approvals		
Shock resistance	200 g (11 ms)	
Vibration resistance	30 g (10...1000 Hz)	
MTTF	[years]	240
Mechanical data		
Weight	[g]	469
Dimensions	[mm]	Ø 42 / L = 107.9
Material	flange: stainless steel; housing cap: stainless steel	
Max. revolution, mechanical	[U/min]	6000
Max. starting torque	[Nm]	5
Reference temperature torque	[°C]	20
Shaft design	solid shaft	
Shaft diameter	[mm]	10
Shaft material	stainless steel	
Max. shaft load axial (at the shaft end)	[N]	180
Max. shaft load radial (at the shaft end)	[N]	180
Fixing flange	Synchro-flange	
Displays / operating elements		
Display	Preoperational Mode	LED, green
	Operational Mode	LED, green flashing
	Error message	LED, red flashing
Electrical connection		
1	CAN_GND	
2	VBBc	
3	GND (PE)	
4	CAN_High	
5	CAN_Low	
Connector: 1 x M12, axial		

RM9010

Absolute multiturn encoder with solid shaft

RMS0024-C24/UT

