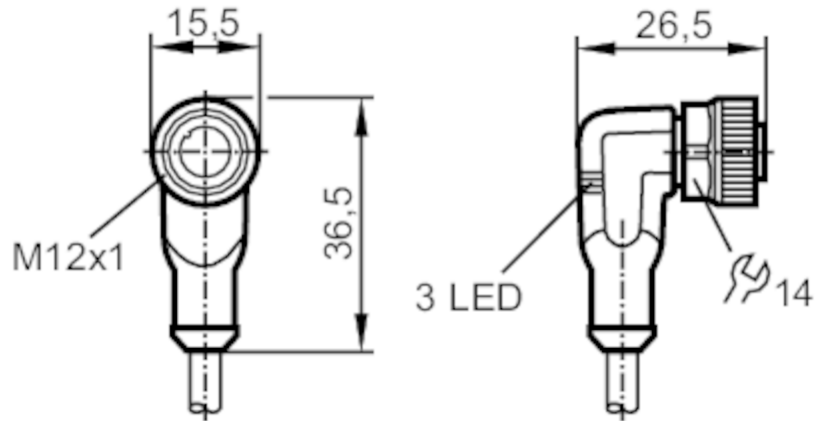


# EVC007



## Female cordset

ADOAH043MSS0002H04



### Application

System	Free from silicone; Halogen-free; gold-plated contacts; Drag chain suitability
Free from silicone	yes

### Electrical data

Operating voltage [V]	10...36 DC
Protection class	II
Max. current load total [A]	4

### Outputs

Electrical design	PNP
-------------------	-----

### Operating conditions

Ambient temperature [°C]	-25...90
Note on ambient temperature	cULus: ...75 °C
Ambient temperature (moving) [°C]	-25...90
Note on ambient temperature (moving)	cULus: ...75 °C
Protection	IP 65; IP 67; IP 68; IP 69K

### Tests / approvals

MTTF [years]	20027
--------------	-------

# EVC007



## Female cordset

ADOAH043MSS0002H04

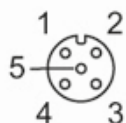
Mechanical data		
Weight	[g]	76.9
Dimensions	[mm]	26.5 x 15.5 x 36.5
Material	housing: TPU (urethane) black transparent; sealing: FKM	
Material nut	brass, nickel-plated	
Drag chain suitability	yes	
Drag chain suitability	Bending radius for flexible applications	min. 10 x cable diameter
	Travel speed	max. 3.3 m/s for a horizontal travel length of 5 m and max. acceleration of 5 m/s <sup>2</sup>
	Bending cycles	> 5 Mio.
	Torsional strain	± 180 °/m

Displays / operating elements		
Display	Switching status	2 x LED, yellow
	Power	1 x LED, green

Remarks	
Notes	Please see the technical note under "Downloads"
Pack quantity	1 pcs.

**Electrical connection**  
Cable: 2 m, PUR, Halogen-free, black, Ø 4.3 mm; 4 x 0.34 mm<sup>2</sup> (42 x Ø 0.1 mm )

**Electrical connection - Socket**  
Connector: 1 x M12, angled; Locking: brass, nickel-plated; Contacts: gold-plated; Tightening torque: 0.6...1.5 Nm



# EVC007



## Female cordset

ADOAH043MSS0002H04

### Connection



Core colors :

BK = black  
BN = brown  
BU = blue  
WH = white