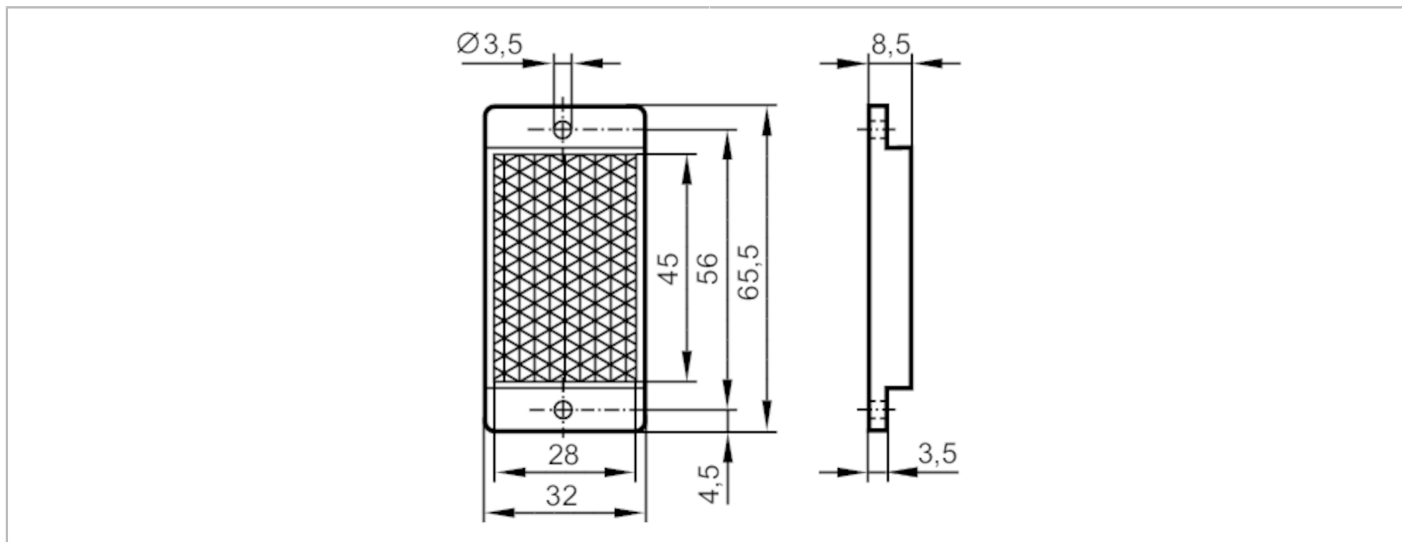


E20452



Reflector for retro-reflective sensors

REFLECTOR TS-45x28



Application	
Design	rectangular, for red light and infrared light retro-reflective sensors
Operating conditions	
Ambient temperature [°C]	-10...60
Mechanical data	
Weight [g]	11.5
Dimensions [mm]	32 x 65.5 x 8.5
Material	plastics
Remarks	
Pack quantity	1 pcs.