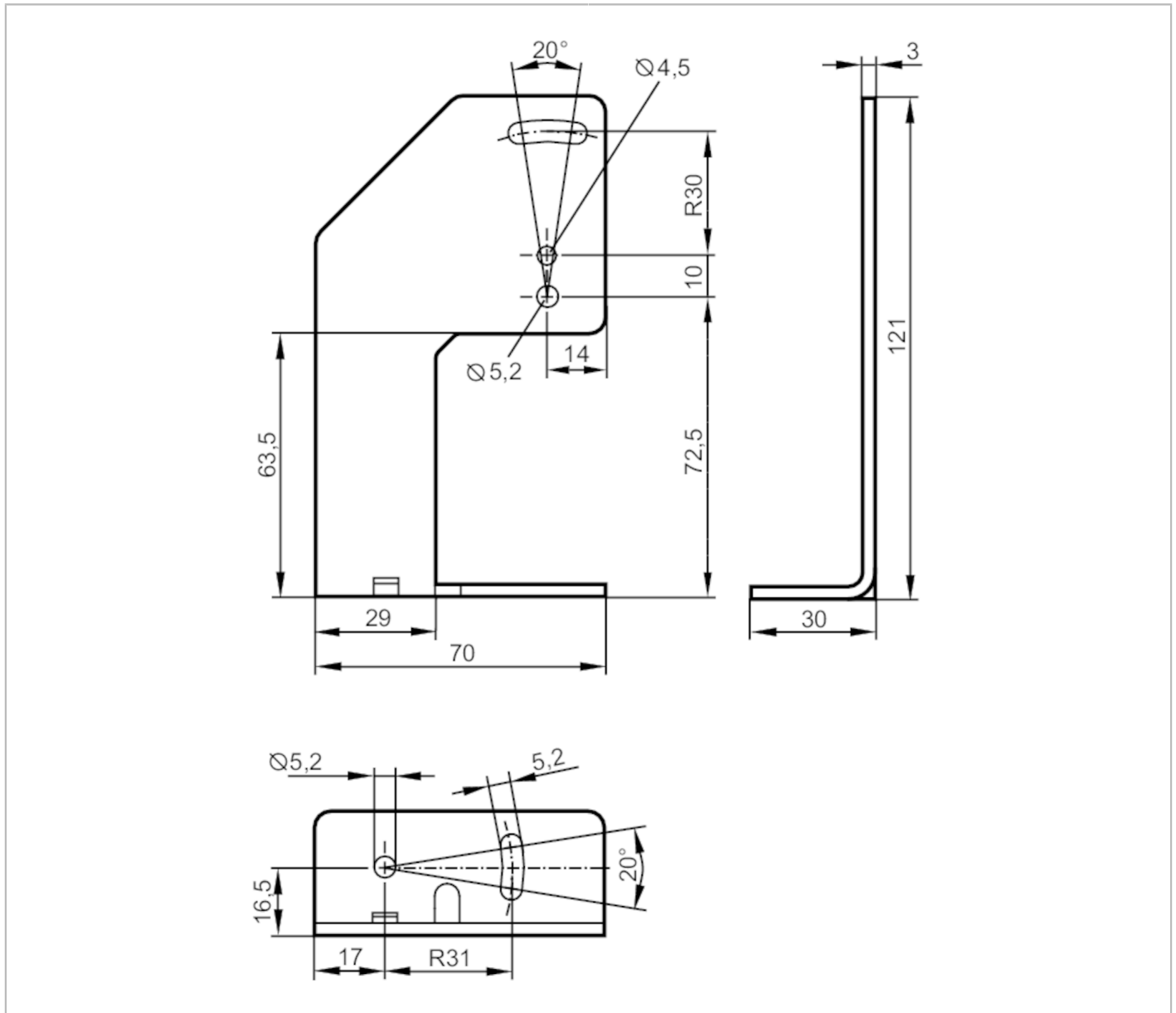


# E21120



## Angle bracket

O4 STANDARD BRACKET



Mechanical data	
Weight	[g] 212.5
Dimensions	[mm] 121 x 30 x 70
Material	stainless steel (1.4404 / 316L)
Accessories	
Accessories (supplied)	cylinder screws: 2 x M5 x 35
	Nuts: 2
	washers: 2
	cylinder screws: 2 x M4 x 45
	Nuts: 2
	washers: 2
Remarks	
Pack quantity	1 pcs.