

Polycarbonate Enclosed Motor Disconnect Switch



- Can be used locally at the motor
- UL Type 4X
- IEC IP65 Protection Level
- UV resistant
- Resistant to many chemicals
- Lockable - Defeatable Handle

All Models are lockable with up to 3 padlocks.

Catalog Number

Black Handle	KKVM332, KKVM332CC
Yellow/ Red Handle	KKVM332 Y/R, KKVM332CC Y/R
No. of Poles	3
General Purpose Current	30 A
Maximum Voltage	600V AC
Motor FLA @ 480V AC	-
Motor FLA @ 600V AC	-

Horsepower Rating /HP

110-120V AC	Cat. No. KKVM 332 (Y/R) Fuse Type: 10x38, Midget
200V AC	
208V AC	
220-240V AC	
265V AC	KKVM 332CC (Y/R) Fuse Type: Class CC
277V AC	
380-415V AC	
440-480V AC	
550-600V AC	

Short Circuit Withstand Rating at 600 V with Max. Fuse Size/Class:

	10 kA
K5	50 A
RK5	50 A
RK1	80 A
J	80 A

Terminal Size

Acceptability 14-8 AWG

(Cu Conductors only, 75°C)

Terminal Torque 16 lb. in. (1.8 Nm)

Screw Head Type No. 2 Pozidrive

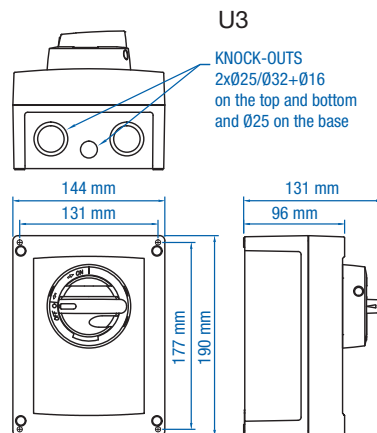
Environmental Rating UL Type 4X

Enclosure Type Used U3



Dimensions

(to convert to inches multiply by 0.03937)



Weight 0.998 kg (2.2 lb.)

Suitable Accessories

Auxiliary Contacts KU1.V, KU2.V