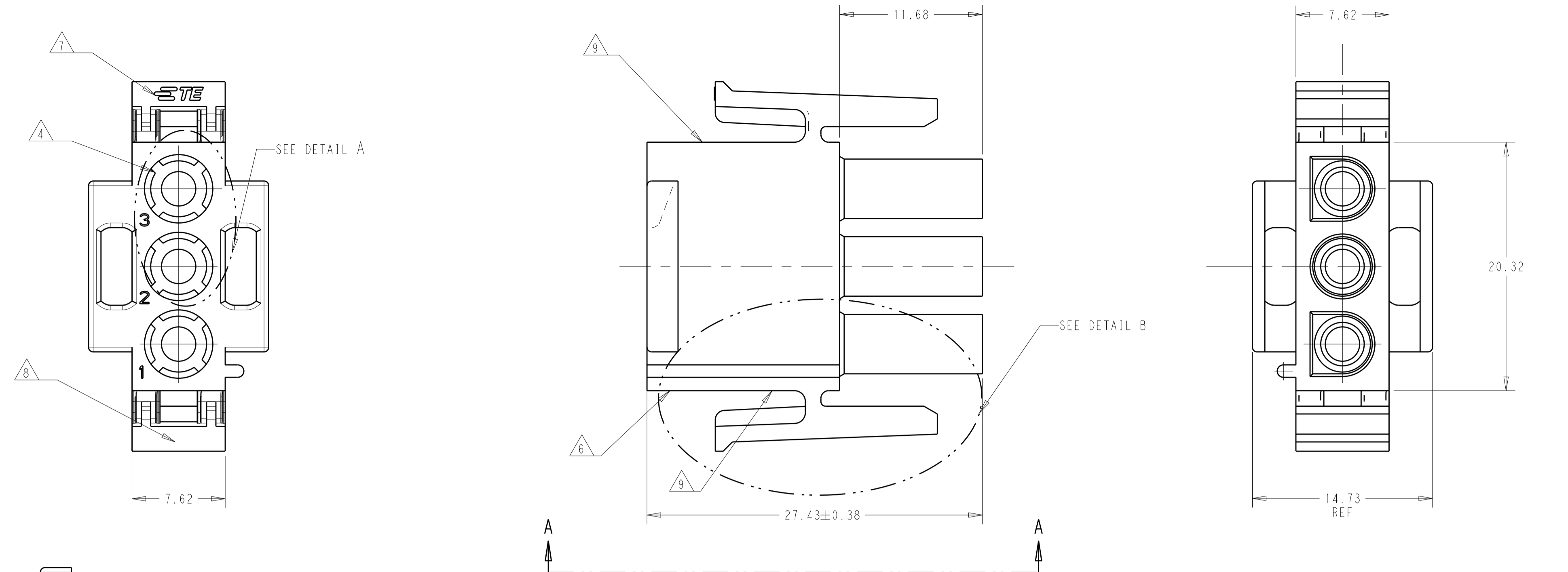
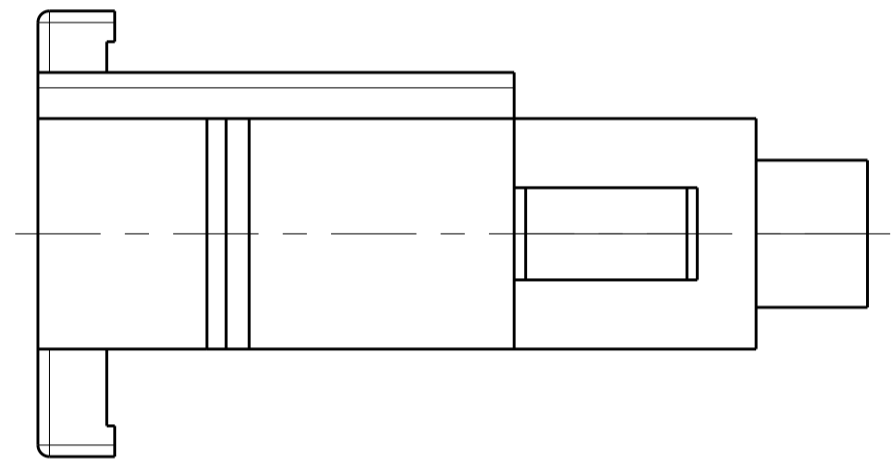


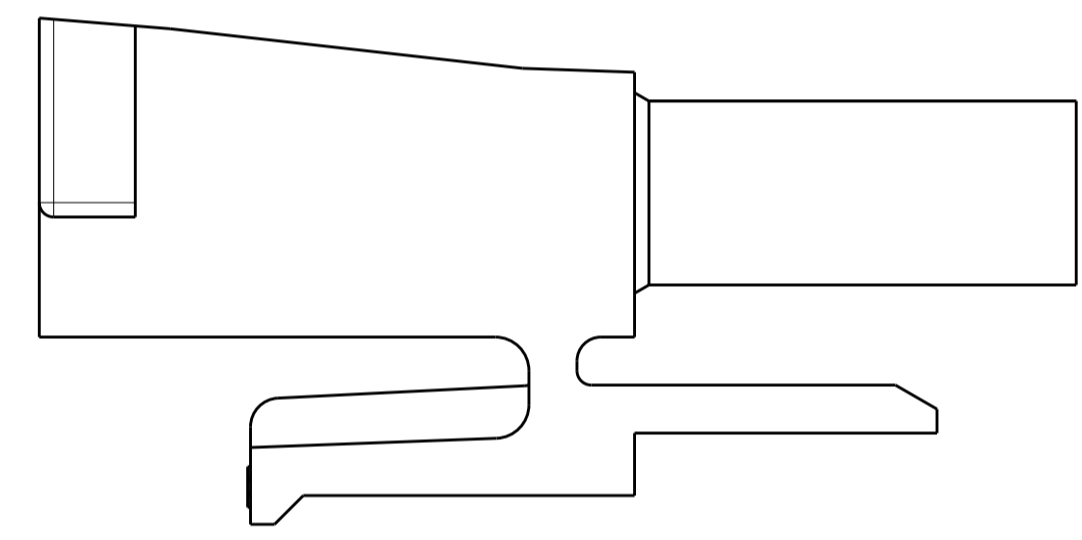
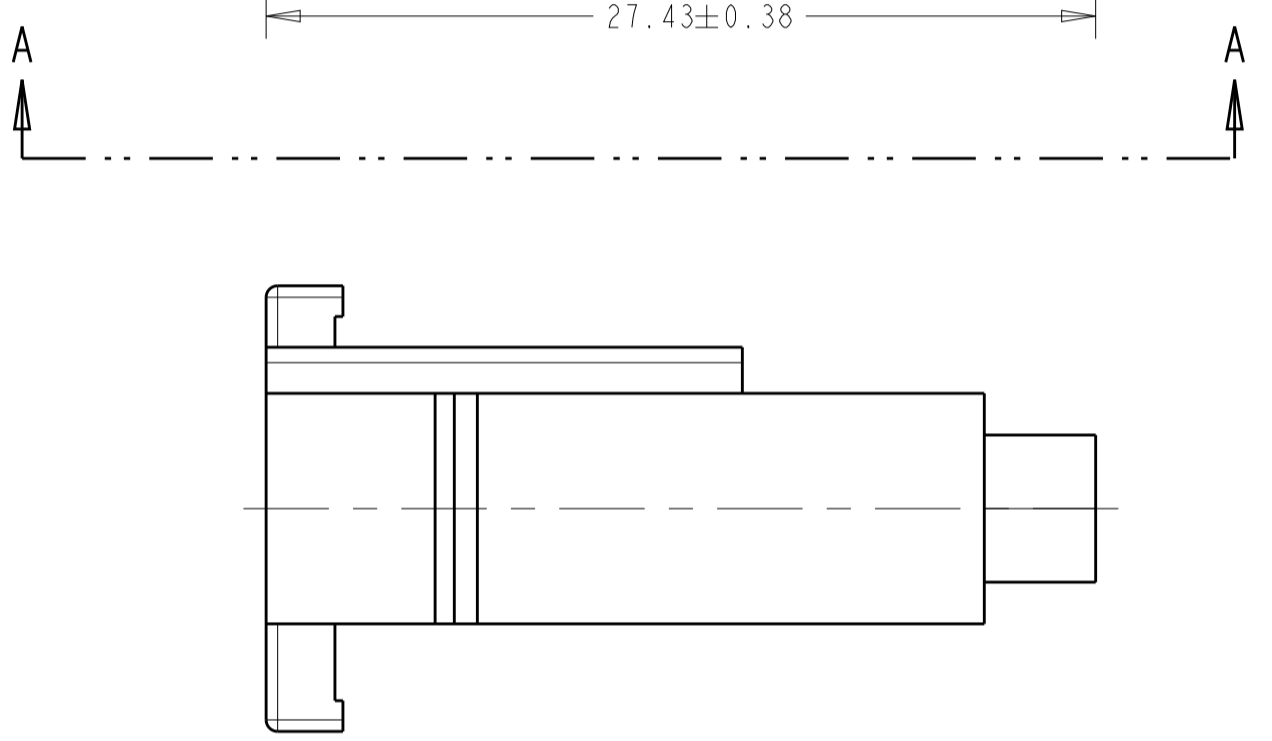
REVISIONS					
P	LTN	DESCRIPTION	DATE	DWN	APVD
Z		REVISED PER ECR-19-011518	06SEP2019	BDA	SF
AA		REVISED PER ECO-20-006810	01JUN2020	BKW	SF



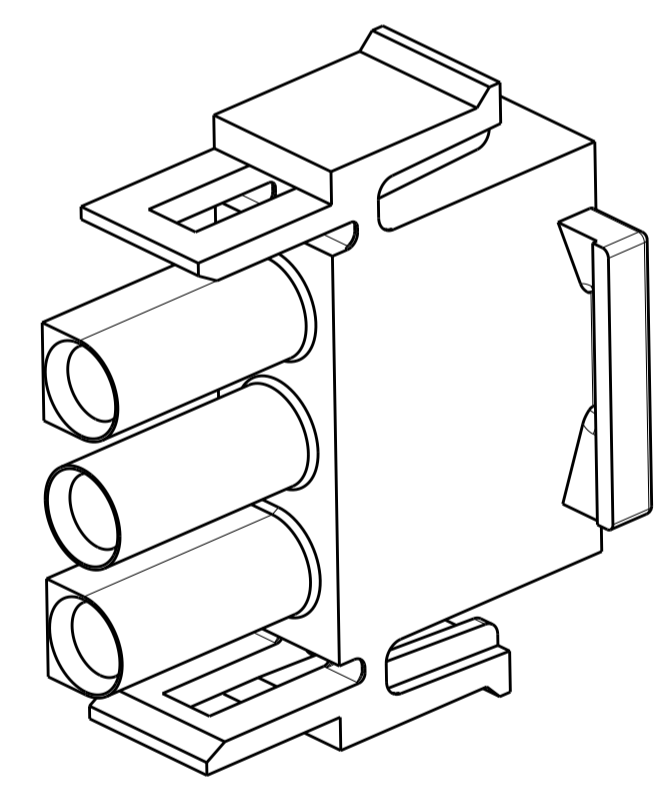
- 1 MATES WITH APPROPRIATE UNIVERSAL MATE-N-LOK CAP OR HEADER.
- 2 SMALL NICKS ARE PERMITTED ON THE CIRCUIT TOWERS WHICH COULD INCREASE THE INITIAL HOUSING MATING FORCE BY UP TO 4.4 NEWTONS [1.0 LBS]. NO INDIVIDUAL NICKED TOWER SHALL INCREASE THIS FORCE BY OVER 2.2 NEWTONS [.5 LBS].
- 3 DIMENSIONS SHOWN REPRESENT PRODUCT IN DRY, AS MOLDED, CONDITION. ADDITIONAL 2% GROWTH DUE TO SUBSEQUENT MOISTURE ABSORPTION MAY OCCUR AND SHOULD BE ACCOUNTED FOR.
- 4 FOUR RIBS EQUALLY SPACED, NO SPECIFIC ORIENTATION. NO RIBS OR SIX RIBS EQUALLY SPACED, NO SPECIFIC ORIENTATION, OPTIONAL.
- 5 NOT MANUFACTURED IN U.S.
- 6 UNDERWRITERS RECOGNIZED COMPONENT LOGO AND CSA CERTIFICATION LOGO TO BE LOCATED ONCE EACH ON SIDE OF HOUSING.
- 7 TRADEMARK LOCATION (AMP OR TE CONNECTIVITY).
- 8 MANUFACTURING LOCATION ID (OPTIONAL).
- 9 PRESENCE OF MOLD RELEASE RIBS IS OPTIONAL. RIBS DO NOT AFFECT FIT OR FUNCTION OF PRODUCT. SEE DETAIL C FOR CONSTRUCTION OPTIONS WITH 1, 2, OR 3 RIBS.



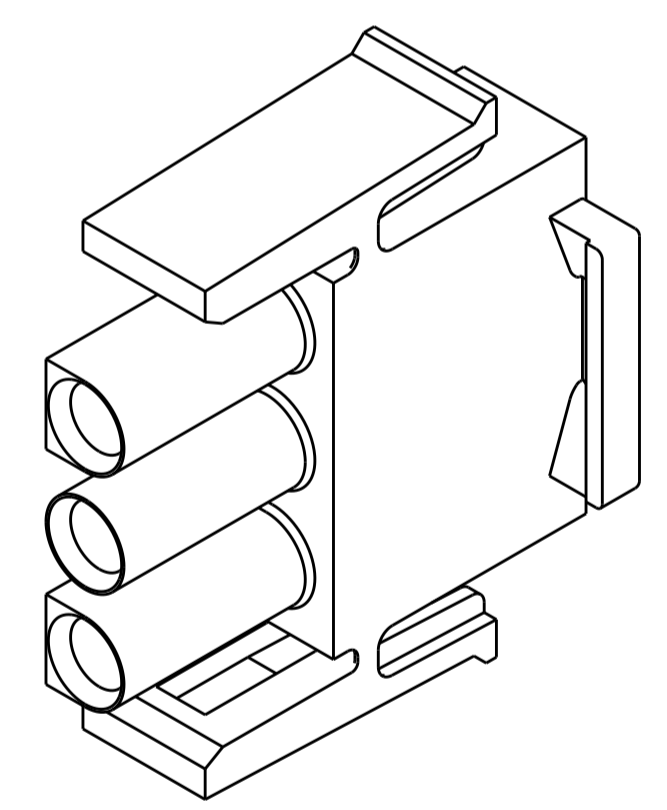
VIEW A-A
350766-4 ONLY



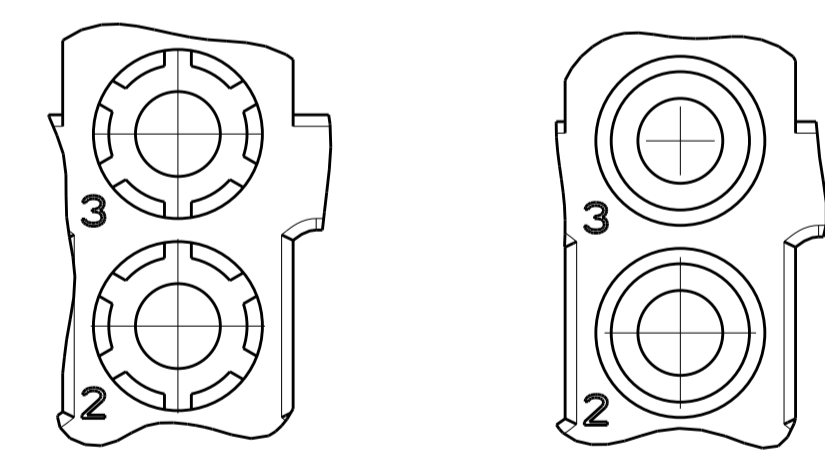
DETAIL B
350766-4 ONLY



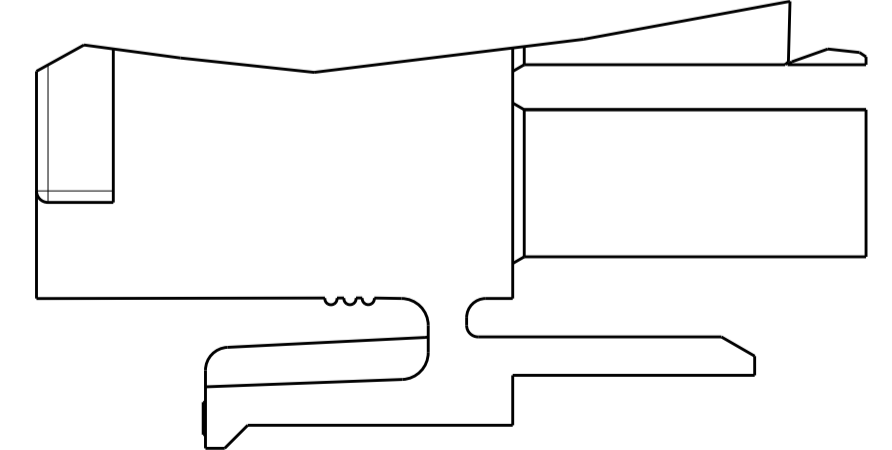
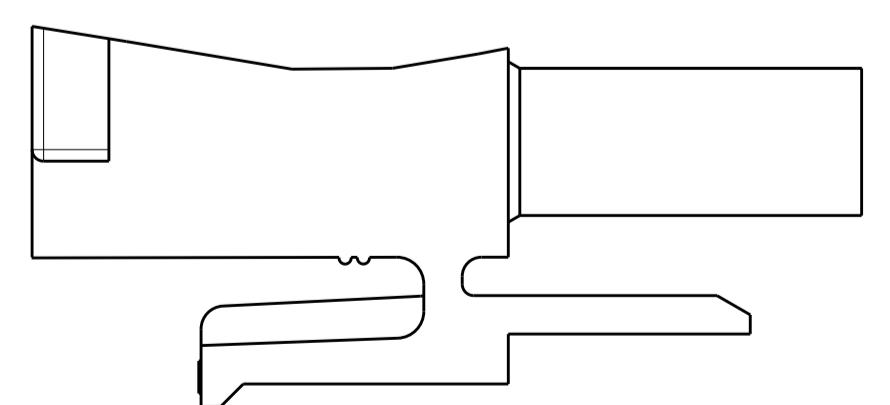
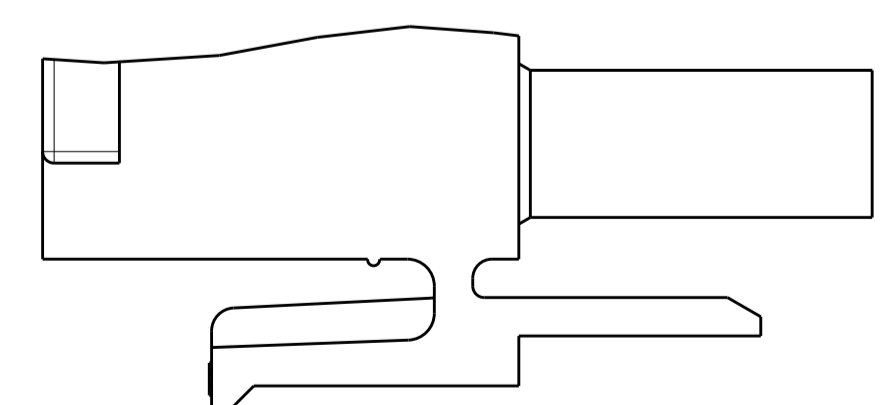
350766-4 3-DIMENSIONAL MODEL
NTS



3-DIMENSIONAL MODEL
NTS



DETAIL A
OPTIONAL CONSTRUCTIONS



DETAIL C
OPTIONAL CONSTRUCTIONS WITH MOLD PULL RIBS

1.080	27.43
.800	20.32
.580	14.73
.460	11.68
.300	7.62
.015	0.38
.005	0.13
IN	MM

CONVERSION TABLE

BLACK	1-350766-9
GRAY	1-350766-8
BLUE	1-350766-6
GREEN	1-350766-5
YELLOW	1-350766-4
ORANGE	1-350766-3
RED	1-350766-2
BROWN	1-350766-1
NATURAL	350766-4
NATURAL	350766-2
NATURAL	350766-1
COLOR	PART NUMBER

THIS DRAWING IS A CONTROLLED DOCUMENT.		DWN R. WHITAKER 07OCT2005	TE Connectivity	
DIMENSIONS: IN		CHK S. RIDGILL 07OCT2005	NAME PLUG, 3 CIRCUIT, UNIVERSAL MATE-N-LOCK(TM)	
		APVD S. RIDGILL 07OCT2005	PRODUCT SPEC 108-1031	
TOLERANCES UNLESS OTHERWISE SPECIFIED:		APPLICATION SPEC		
0 PLC ±		114-1010		
1 PLC ±		WEIGHT		
2 PLC ±		CUSTOMER DRAWING		
3 PLC ±		SCALE 4:1		
4 PLC ±		SHEET 1 OF 1		
ANGLES ±		REV AA		
FINISH ±		REV AA		