

NOTES:

1. MATERIALS AND FINISHES:

SMA STR PLUG - STAINLESS STEEL, GOLD PLATING  
 CABLE - TFLX 405

2. ELECTRICAL:

A. IMPEDANCE: 50 OHM

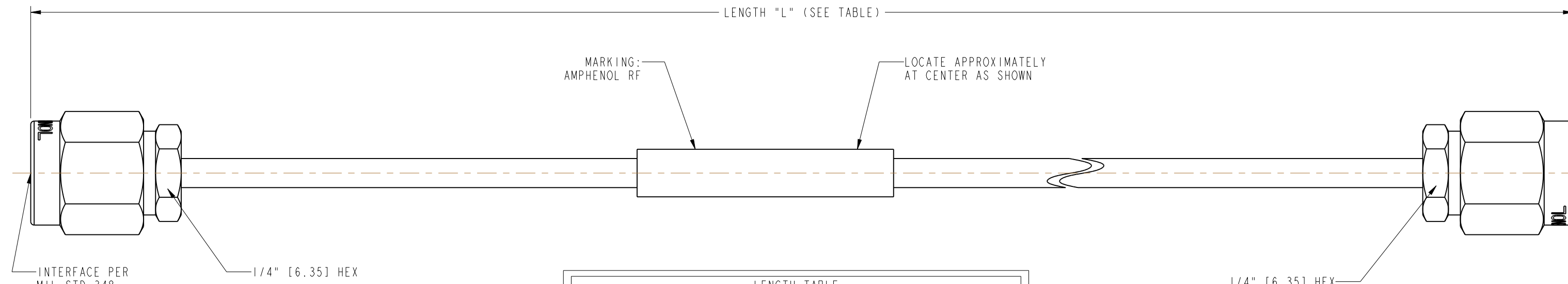
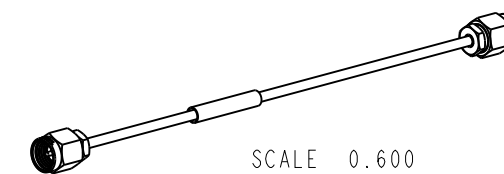
3. PACKAGING:

A. QUANTITY: SINGLE PACK  
 B. MARKING: BAG TO BE MARKED  
 "AMPHENOL RF, 95-902-451-XXX AND DATE CODE".

THIRD ANGLE PROJ.

REVISIONS

REV	DESCRIPTION	DATE	ECO	APPR
A	RELEASE TO MFG	11/16/15	50824	VK



LENGTH TABLE			
PART NUMBER (IMPERIAL)	PART NUMBER (METRIC)	LENGTH "L" IN INCHES [METERS]	INSERTION LOSS MAX (dB)
95-902-451-006	-	6.00 [0.152]	0.80
95-902-451-007	-	7.00 [0.178]	0.90
95-902-451-008	-	8.00 [0.203]	1.00
95-902-451-009	-	9.00 [0.229]	1.10
-	95-902-451M025	9.84 [0.250]	1.15
95-902-451-010	-	10.00 [0.254]	1.15
95-902-451-012	-	12.00 [0.305]	1.30
95-902-451-018	-	18.00 [0.457]	1.90
-	95-902-451M050	19.69 [0.500]	2.00
95-902-451-024	-	24.00 [0.610]	2.40
95-902-451-036	-	36.00 [0.914]	3.40
-	95-902-451M100	39.37 [1.000]	3.70

**DESIGN REQUIREMENTS:**

<input checked="" type="checkbox"/> FREQUENCY : DC TO 18 GHz	<input checked="" type="checkbox"/> CONTINUITY
<input checked="" type="checkbox"/> VSWR : 1.650 MAX.	<input checked="" type="checkbox"/> HI-POT: 500 VRMS
<input checked="" type="checkbox"/> INS. LOSS : SEE TABLE	<input type="checkbox"/> OTHER

**CUSTOMER OUTLINE DRAWING**  
 ALL OTHER SHEETS ARE FOR INTERNAL USE ONLY

UNLESS OTHERWISE SPECIFIED, DIMENSIONS ARE IN INCHES AND TOLERANCES ARE: 2 PLACE DECIMAL 3 PLACE DECIMAL ANGLES ±.015 (0,381 mm) ±.005 (0,127 mm) ± 1°	MATERIAL	DRAWN	DATE	TITLE SMA STR PLUG TO SMA STR PLUG WITH ANTI-TORQUE BODY, USING TFLX 405 CABLE, VARIOUS LENGTHS	Amphenol RF www.amphenolrf.com
	SEE NOTES	VIJI K	15-Oct-15		
NOTICE - These drawings, specifications, or other data (1) are, and remain the property of Amphenol corp. (2) must be returned upon request; and (3) are confidential and not to be disclosed to any person other than those to whom they are given by Amphenol Corp. the furnishing of these drawings, specifications, or other data by Amphenol Corp., or to any other person to anyone for any purpose is not to be regarded by implication or otherwise in any manner licensing, granting rights to permitting such holder or any other person to manufacture, use or sell any product, process or design, patented or otherwise, that may in any way be related to or disclosed by said drawings, specifications, or other data.	REFERENCE	ENGINEER	DATE	SCALE: 3.5:1.0 SHEET 2 OF 2	DRAWING NO.95-902-451-XXX ITEM NO.95-902-451-XXX
	EAR # 6826	VIJI K	15-Oct-15		
	CONFIGURATION LEVEL: In Work	APPROVED	DATE		DWG SIZE
FINISH	K. CAPOZZI	11/9/15		B	A
					PART NO.95-902-451-XXX