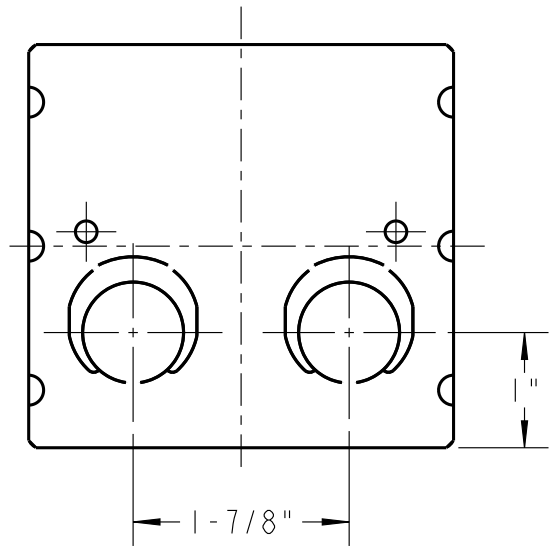
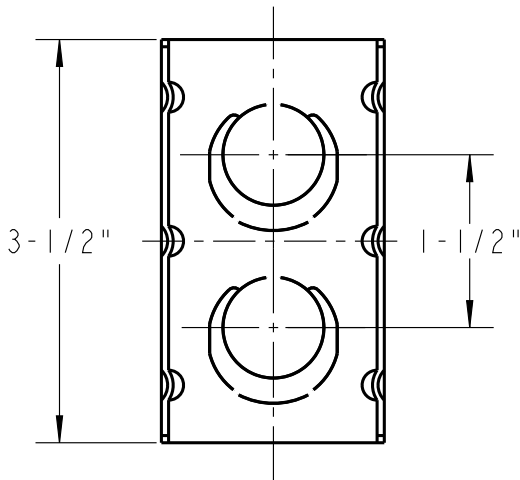
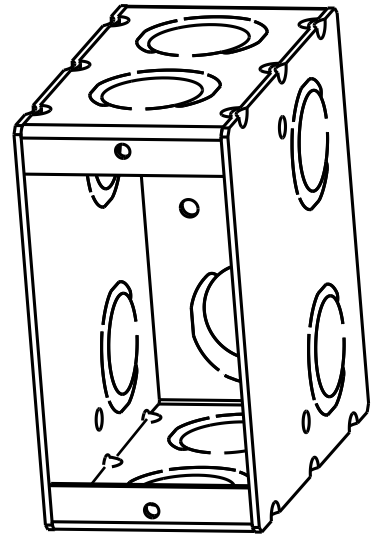
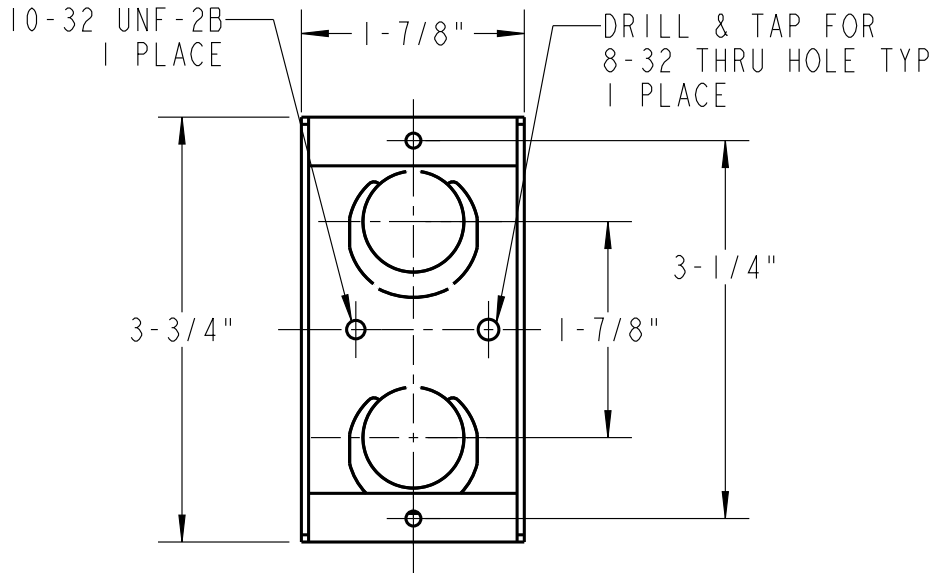




Steel City



NOTES:

1. MATERIAL: PRE-GALVANIZED STEEL.
2. THE QUANTITY OF ECCENTRIC 1/2" AND 3/4" KNOCKOUTS: 10.
3. THE CUBIC INCH VOLUME: 22 CU. IN.

GENERAL NOTES

1. ALL DIMENSIONS ARE FOR REFERENCE ONLY.
2. DIMENSIONS IN BRACKETS [] ARE IN METRIC UNITS.

REVISIONS

- | | |
|---|--|
| 0 | SEE ERN (****) FOR APPROVAL SIGNATURES & RELEASE DATE.
PROJECT NO: **** |
|---|--|

www.tnb.com

DESCRIPTION:

1-MB MASONRY BOX

Thomas & Betts

A Member of the ABB Group

ORIGINAL PROJECT NO / (ERN NO)

001M001231 / (2017980)

SHEET NO:

1 OF 1

REV. NO:

0

DRAWING NO:

WSD-001823