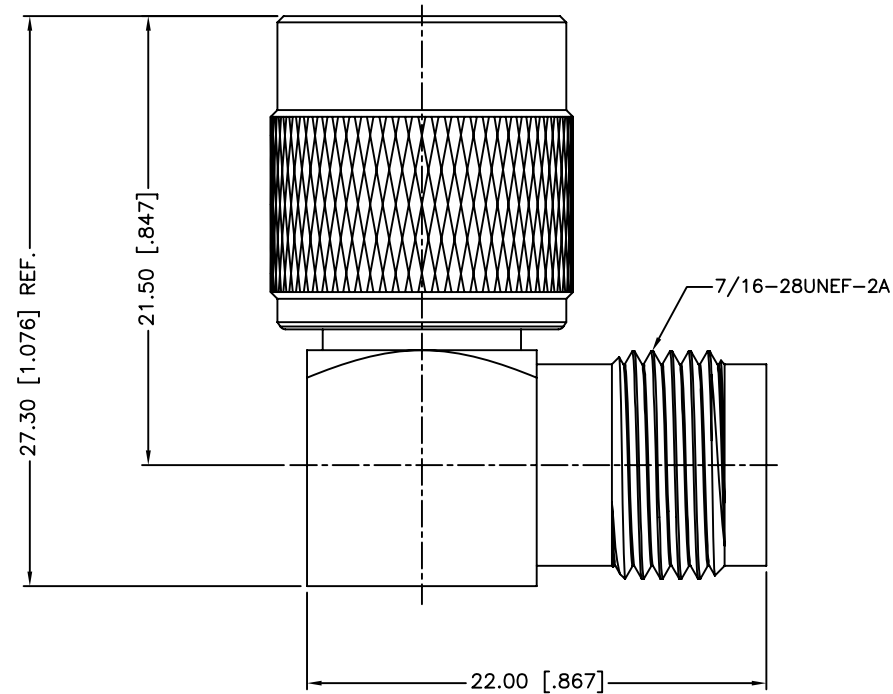


REV.	DATE	ECR NO.	DESCRIPTION
NC	07/14/09	XXXXXX	INITIAL RELEASE
1	01/28/11	XXXXXX	INSULATOR'S MATERIAL DELRIN CHANGE TO PTFE



13	COVER	BRASS	NICKEL	1
12	CONTACT PIN	BRASS	GOLD	1
11	WASHER	BRASS	NICKEL	1
10	RING	DELTRIN	NATURAL	1
9	RETAINER RING	BRASS	NICKEL	1
8	GASKET	RUBBER	RED	1
7	INSULATOR	PTFE	NATURAL	1
6	LOCK RING	BRASS	NICKEL	1
5	CONTACT PIN	PHOSPHOR BRONZE	GOLD	1
4	INSULATOR	PTFE	NATURAL	1
3	BODY	BRASS	NICKEL	1
2	HOUSING	BRASS	NICKEL	1
1	SHELL	BRASS	NICKEL	1
	DESCRIPTION	MATERIAL	FINISH	QTY

UNLESS OTHERWISE SPECIFIED DIMENSIONS ARE IN MILLIMETERS. DIMENSIONS IN [ ] ARE IN INCHES AND FOR CUSTOMER REFERENCE ONLY.

UNLESS OTHERWISE SPECIFIED TOLERANCES FOR MILLIMETERS ARE:  
0.5 - 8mm ± 0.20mm  
8 - 30mm ± 0.40mm  
30 - 120mm ± 0.50mm

UNLESS OTHERWISE SPECIFIED TOLERANCES FOR INCHES ARE:  
.020 - .315 = ± 0.007"  
.315 - 1.180 = ± 0.015"  
1.180 - 4.724 = ± 0.020"

DO NOT SCALE DRAWING

APPROVALS		DATE
DRAWN	S.LI	01/28/11
CHECKED		
ISSUED		
SHEET	1 OF 1	
CAD FILE	C:/CONNEX/122352RP-RP.DWG	

# Amphenol Connex

PART DESCRIPTION		TNC REVERSE POLARITY R/A ADAPTOR		
PART NO.		122352RP-RP		
DWG. NO.	122352RP-RP.DWG	REV.	1	SCALE NA
SIZE	A			