

THIS DRAWING IS UNPUBLISHED.

RELEASED FOR PUBLICATION

2017

© COPYRIGHT 2017 BY - TE CONNECTIVITY

ALL RIGHTS RESERVED.

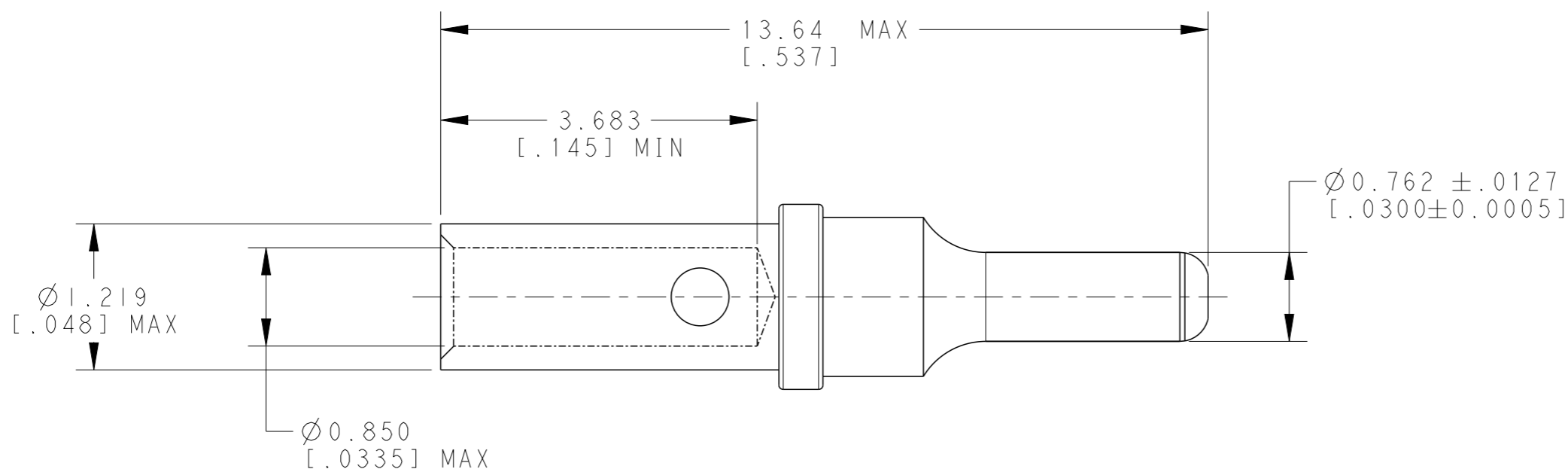
REVISIONS

P	LTR	DESCRIPTION	DATE	DWN	APVD
	A	NEW DRAWING	11JUL2017	AP	VP


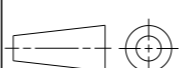
NOTES:

1 MATERIAL: CONTACT BODY - COPPER ALLOY

2 FINISH: CONTACT BODY - GOLD OVER NICKEL PLATED.



M81969/14-01	4.064 TO 4.826 [.160] TO [.190]	22,24,26	22D	6860-201-22278
INSERTION/REMOVAL TOOL	RECOMMENDED STRIP LENGTH	WIRE GAGE RANGE	SIZE	DEUTSCH PART NO.

THIS DRAWING IS A CONTROLLED DOCUMENT.		DWN AJITH PAI V 12JUN2017	 TE Connectivity		
DIMENSIONS: mm [inches]		CHK PRAVEENA V 12JUN2017			
TOLERANCES UNLESS OTHERWISE SPECIFIED:		APVD V V BIDI 12JUN2017	NAME PIN-CONTACT SIZE 22 IMC / QC-SERIES.		
		PRODUCT SPEC	RESTRICTED TO		
0 PLC ± 1 PLC ± 2 PLC ± 3 PLC ±.025 4 PLC ± ANGLES ± ±0° 30' 0"		APPLICATION SPEC	SIZE A3	CAGE CODE 00779	DRAWING NO G-6860-201-22278
MATERIAL 1		FINISH 2	WEIGHT 0.1 (g)	SCALE 10:1	
CUSTOMER DRAWING			SHEET 1 OF 1	REV A	