

Product Datasheet

Joystick



825-2596



825-2599

Standard Specifications

● Mechanical Performances

Controlling range of operating lever:

X、Y axes Approx. $\pm 12^\circ$ from the centre position

Operating force (standard spring return device):

Approx. 2.2N ~ 2.8N (220gf ~ 280gf)

Operating temperature range: $-20^\circ\text{C} \sim +65^\circ\text{C}$

Vibration: 10 ~ 55Hz 98m/S² (10G)

Shock: 294m/S² (30G)

Degrees of Protection: IP65 (above mounting panel)

Life expectancy: Approx. 200,000 operations

Mass: Approx. 40g

● Electrical Performances

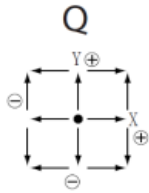
Rating of push-button switch: 50VDC/0.1A

Rating of micro-switches: 250VAC/5A

RS 4A - Y Q - 0 5 R2 G - G M
1 2 3 4 5 6 7 8 9 10

825-2596 (RS4A-YQ-04R2G)
825-2599 (RS4A-YQ-05R2G-GM)

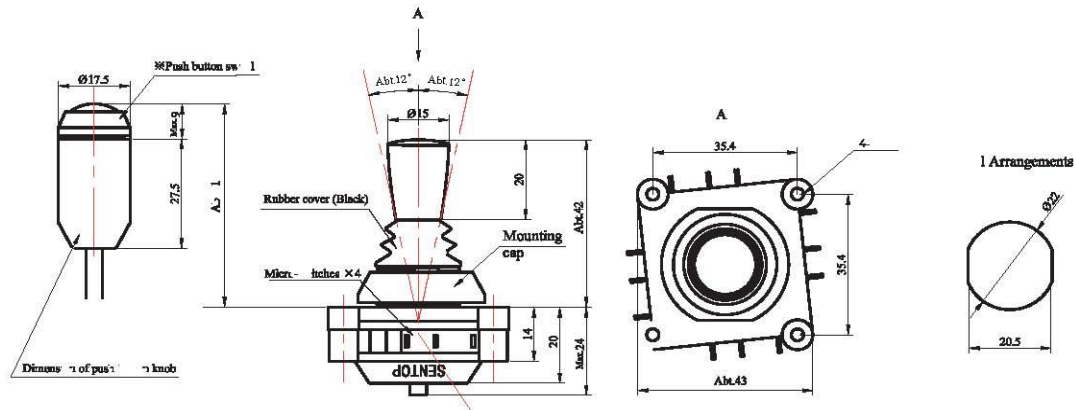
- 1. **RS** joystick switch.
- 2. **4** means approx. size of base housing in cm
A means another model of RS4 series
- 3. **Mechanism**
Y means 2-axes coordinate
- 4. **Q** means lever operation as below:



- 5. **Number of potentiometers**
0..... no potentiometers

- 6. **Number of switches**
4..... 4 micro-switches mounted
5..... 4 micro-switches & 1 push button switch
- 7. **With spring return device**
R2: means with spring return for 2 axes.
- 8. **G** means with dust proof rubber cover
- 9. **Button colour of push-button switch in the handle**
G: Green
- 10. **Available switch function for push-button knob**
M: Momentary

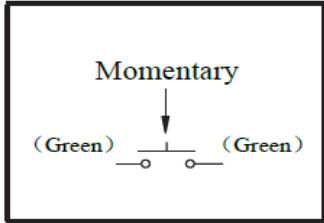
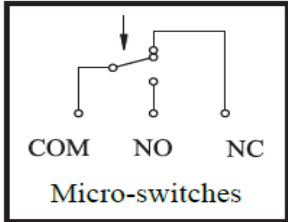
Standard Dimension





825-2596
(RS4A-YQ-04R2G)
(Standard)

● **Terminal Connection Diagram**



825-2599
(RS4A-YQ-05R2G-GM)
(with Push Button Knob)

● **Mounting Method**

