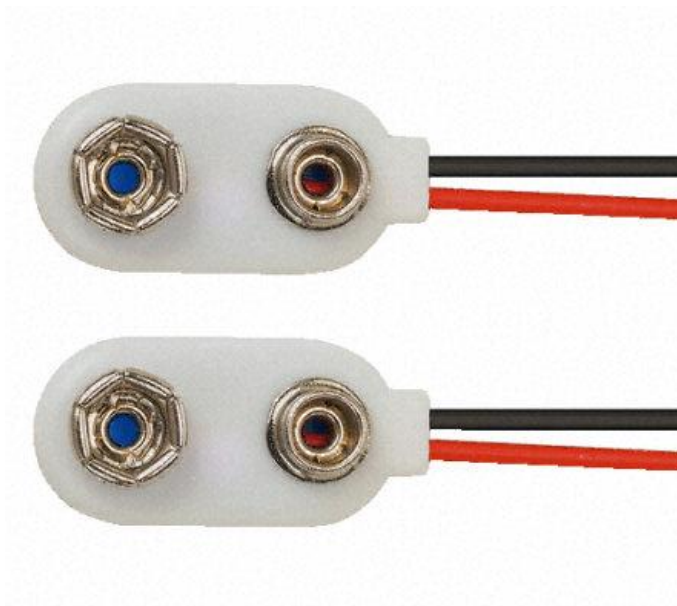


# Datasheet

## Battery Holders & Mounts

# Strap & Lead Mount Battery Strap for 1 Press Stud Contact



### Specification:

RS Article No. 489-021

Body Material: PP

For Battery Size: 9V

Wire Size: UL1007 24AWG

Lead Length: 220mm, Ends

Stripped & Tinned 5mm.

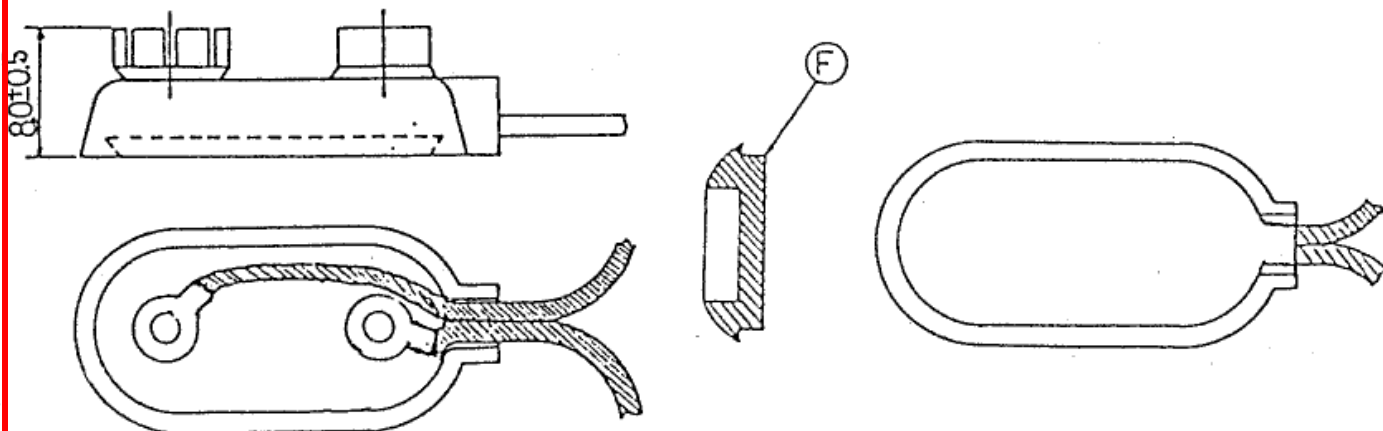
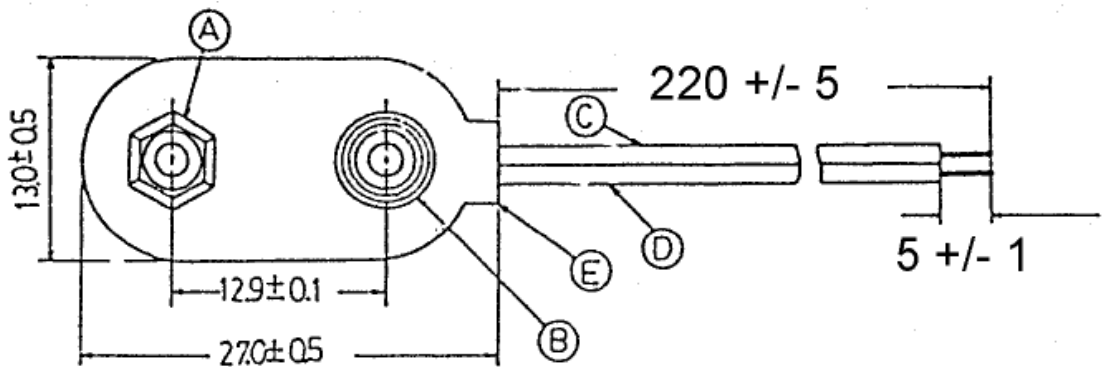
Mount: Strap & Lead

Number of Cells: 1

Terminal Contact Type: Press

Stud Type: Strap & Lead

Drawings:



No.	Part Name	Material	QT Y	Notes
A	Female Snap	Brass (H)	1	Nicket
B	Male Snap	Brass (O)	1	Nicket
C	Red Wire +	PVC or UL or CSA	1	Min: 26AWG
D	Black Wire -	PVC or UL or CSA	1	Max: 22 AWG
E	Covering	PP	1	
F	UP-Covering	PP	1	