

# Datasheet

## ROUND ROCKER SWITCH

SWITCHES

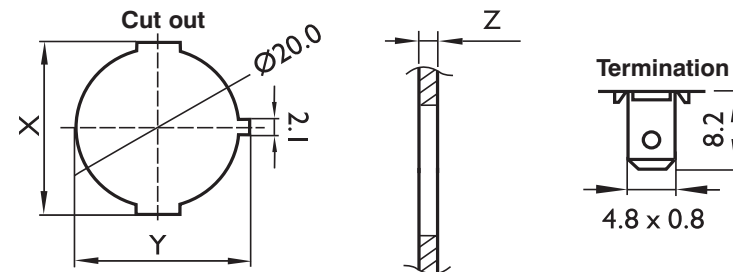
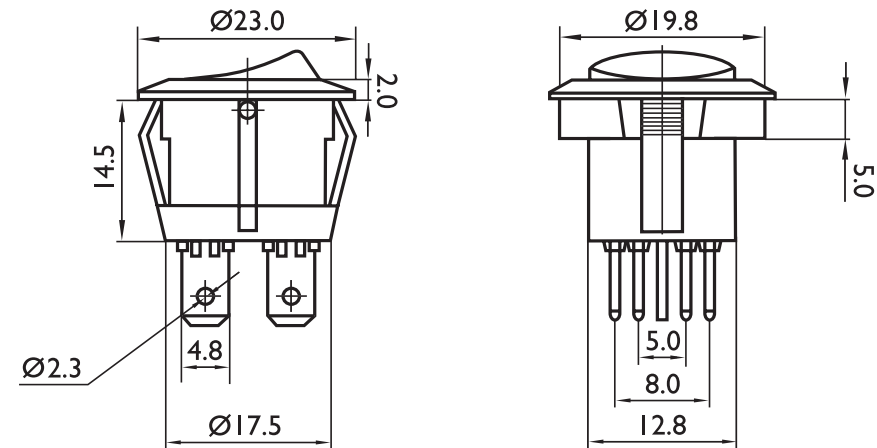
### Specifications

### ABRR004

Rating	6(2)A 250VAC T85 1E4 VDE 10A 125VAC UL C-UL		
Colour	Black body/01 engraving		
Switch action	DP On-off latching		
Maximum contact resistance	30MΩ		
Minimum insulation resistance	500VDC 100MΩ		
Electrical life	10,000 cycles		
Operation force	600-900gf		
Operating temperature	-25°C~85°C		
Cut out (diagram opposite)	Z	Y	X
	0.75-1.25	20.8	20.3
	1.25-2.0	20.8	20.8
	2.0-3.0	20.8	21.1

Approval VDE, UL

Double pole versions available



### Features

- ROHS compliant
- Housing material: Nylon #66 UL 94V-2
- Rocker material: Nylon #66 UL 94V-2
- Terminal material: Copper alloy SN or AG plated
- Contact material: Ag-Cd-0 (12) alloy plated