

MSR Series Mini Regulators

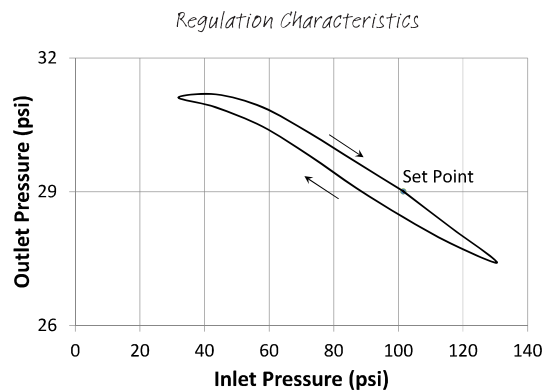
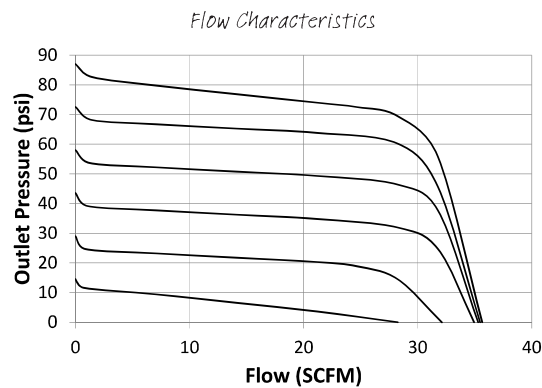
Engineering Specifications

Model	MSR200-06	MSR200-08
Fluid	Air (Clean/Dry)	
Port Size	1/8 NPT	1/4 NPT
Type	Relieving Regulator with Push to Lock Adjustment Knob	
Pressure Range	7 to 130 psi (0.05 to 0.9 MPa)	
Proof Pressure	215 psi (1.5 MPa)	
Temperature Range	-4 °F to 158 °F (-20 °C to 70 °C)	
Material	Aluminum Alloy Body	
Mounting	Inline via Bracket / Panel Mount	
Includes	Gauge ¹ / Stamped Steel Bracket / Panel Nut / 2 Gauge Locations	

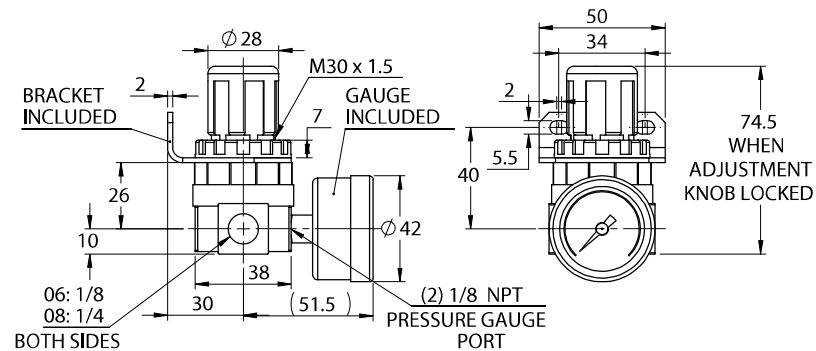
¹ 1/8 NPT, 40mm round gauge, 0-140 psi



Performance Data MSR200



Dimensions



How to Order

MSR regulator models can be configured using basic alphanumeric clusters. To create an MSR series part number, choose model and port size. Sample MSR series part numbers and available options are featured below.

MSR 200-08

Model		Port Size	
200	200 Series	06	1/8 NPT
		08	1/4 NPT

