

NOTES:

1. MATERIALS AND FINISHES:

- HOUSING - BRASS, GOLD PLATING (.000003 MIN THICK)
- BODY - BeCu, GOLD PLATING (.000003 MIN THICK)
- CONTACT PIN - BeCu, GOLD PLATING (.000030 MIN THICK)
- COVER - BRASS, GOLD PLATING (.000003 MIN THICK)
- INSULATOR - PTFE, NATURAL
- INSULATOR - DELRIN, NATURAL

2. CABLE ASSEMBLY INSTRUCTIONS:

- A. TRIM CABLE AS SHOWN.
- B. INSERT CABLE INTO BODY.
- C. CRIMP USING AMPHENOL TOOL 227-944 WITH DIE SET227-1221-03, CAVITY 'A' (0.128 HEX) FOR FERRULE.
- D. AFTER CRIMPING, SOLDER CABLE CENTER CONDUCTOR TO CONTACT, THE SOLDER MUST NOT PROTRUDE ABOVE THE CENTER CONTACT END SURFACE.
- E. ORIENT REAR INSULATOR SLOT WITH CABLE DIELECTRIC AND INSERT TO DIMENSION SHOWN.
- F. INSERT CAP UNTIL FLUSH WITH SURFACE OF BODY, INSERTION TOOLING MUST ENSURE THAT CAP SURFACE IS PARALLEL TO BODY SURFACE.

3. PACKAGING:

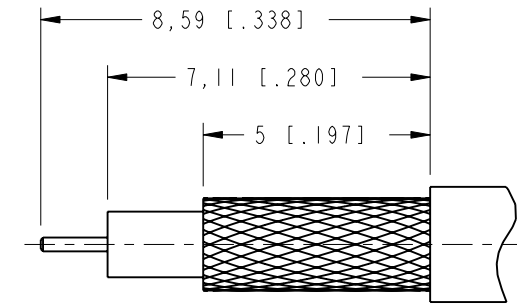
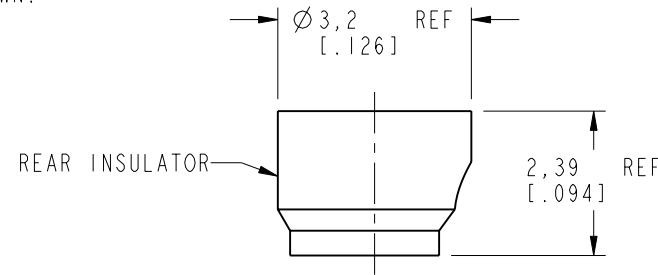
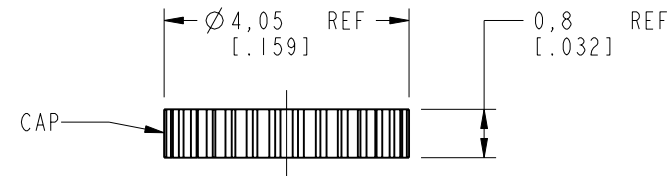
- A. QUANTITY: SINGLE PACK
- B. MARKING: BAG TO BE MARKED "AMPHENOL RF, SMP-FR-C08-1 AND DATE CODE"

4. SHOWS CABLE ENTRY DIMENSIONS.

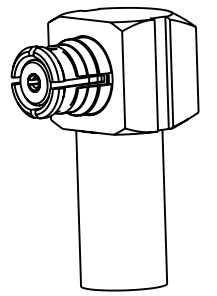
THIRD ANGLE PROJ.

REVISIONS

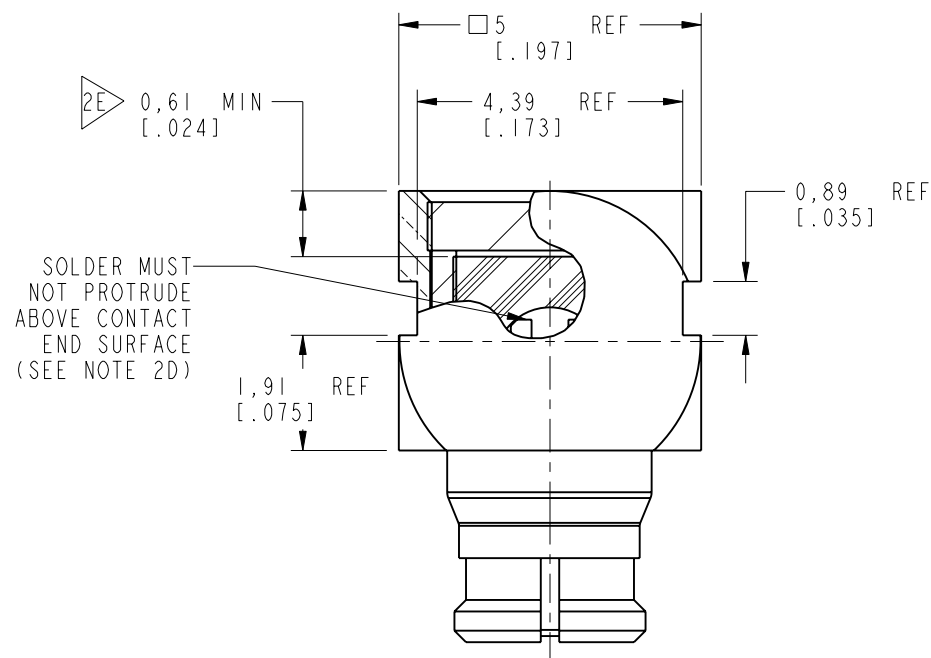
REV	DESCRIPTION	DATE	ECO	APPR
A	RELEASE TO MFG.	04-Nov-16	2061	NR
B	DOCUMENTATION CHANGE ONLY	16-Dec-16	02641	BMG



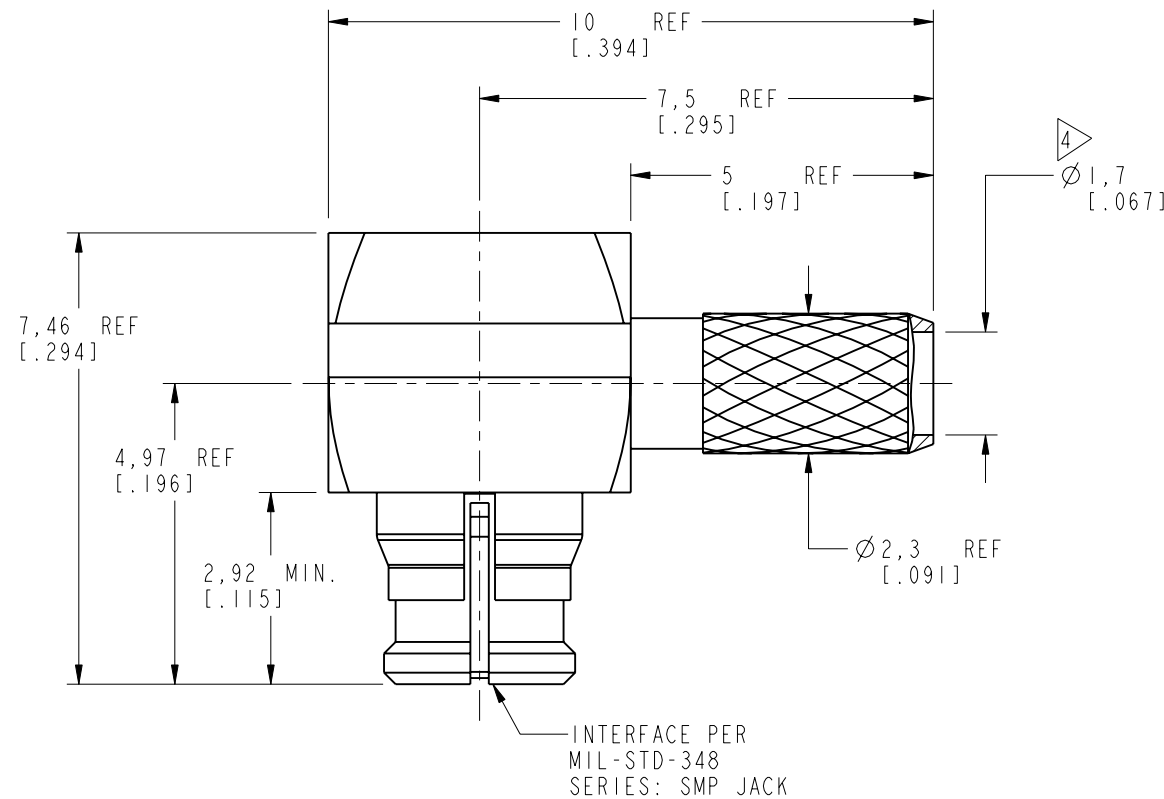
RECOMMENDED CABLE STRIPPING DIMENSIONS



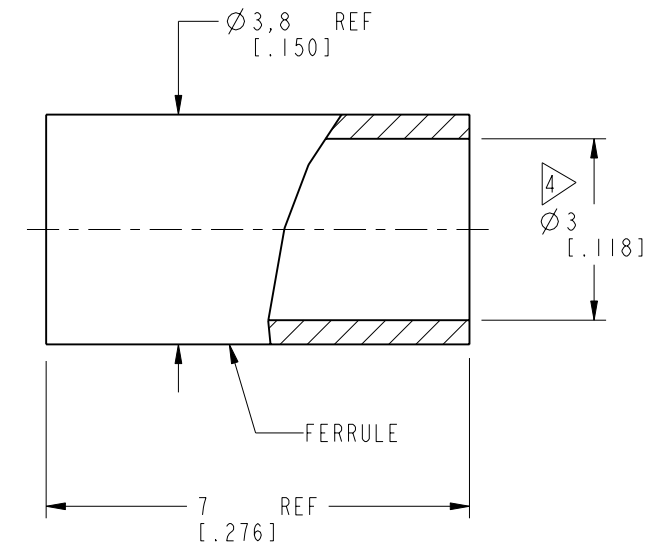
SCALE 3.000



SOLDER MUST NOT PROTRUDE ABOVE CONTACT END SURFACE (SEE NOTE 2D)



INTERFACE PER MIL-STD-348 SERIES: SMP JACK



CUSTOMER OUTLINE DRAWING

ALL OTHER SHEETS ARE FOR INTERNAL USE ONLY

UNLESS OTHERWISE SPECIFIED, DIMENSIONS ARE IN INCHES AND TOLERANCES ARE: 2 PLACE DECIMAL 3 PLACE DECIMAL ANGLES ±.015 (0,381 mm) ±.005 (0,127 mm) ± 1°	MATERIAL	DRAWN	DATE	TITLE SMP R/A PLUG WITH FEMALE CONTACT FOR RG 316 & RG 174 CABLE	Amphenol RF www.amphenolrf.com
	SEE NOTES	STAR	16-Dec-16		
NOTICE - These drawings, specifications, or other data (1) are, and remain the property of Amphenol corp. (2) must be returned upon request; and (3) are confidential and not to be disclosed to any person other than those to whom they are given by Amphenol Corp. the furnishing of these drawings, specifications, or other data by Amphenol Corp., or to any other person to anyone for any purpose is not to be regarded by implication or otherwise in any manner licensing, granting rights to permitting such holder or any other person to manufacture, use or sell any product, process or design, patented or otherwise, that may in any way be related to or disclosed by said drawings, specifications, or other data.	REFERENCE	ENGINEER	DATE	SCALE: 8.0:1.0	DRAWING NO. SMP-FR-C08-1 ITEM NO. SMP-FR-C08-1 PART NO. SMP-FR-C08-1
	EAR # 4720 AND 615X-2307-100	H. PARIKH	09-Jun-11	SHEET 2 OF 2	
	CONFIGURATION LEVEL: In Work	APPROVED	DATE	DWG SIZE	REV
FINISH	S. HSIEH	16-Dec-16	B	B	