

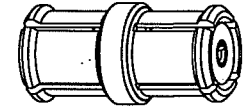
NOTES:

- MATERIALS AND FINISHES:  
 BODY - BeCu, GOLD PLATING  
 CONTACT - BeCu, GOLD PLATING  
 INSULATOR - PTFE
- ELECTRICAL:
  - IMPEDANCE: 50 OHM
  - FREQUENCY RANGE: DC - 26.5 GHz
  - VSWR(RETURN LOSS): 1.2 (20.8 dB), MAX. DC-10GHz  
 1.4 (15.6 dB), MAX. 10-18GHz  
 1.5 (14 dB), MAX. 18-26.5GHz
  - DIELECTRIC WITHSTANDING VOLTAGE: 500 VRMS, MIN.
- PHYSICAL:
  - DURABILITY: 100 CYCLES MIN.
  - ENGAGEMENT FORCE: 15 LB [67 N] MAX (FOR FULL DETENT)
  - DISINGAGEMENT FORCE: 2 LB [9 N] MIN (FOR FULL DETENT)
  - TEMPERATURE RANGE: -65° C TO 165° C

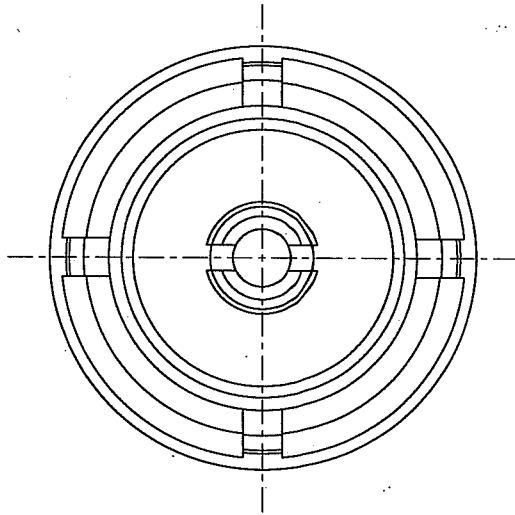
THIRD ANGLE PROJ.

REVISIONS

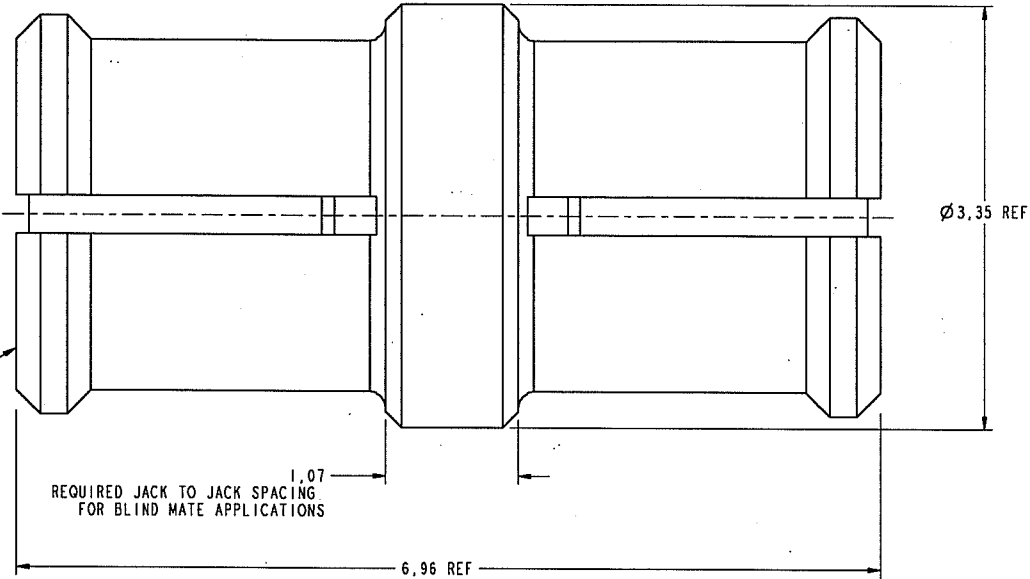
REV	DESCRIPTION	DATE	ECO	APPR
A	RELEASE TO MFG	06-Jun-07		KL



SCALE 6.000



INTERFACE PER  
MIL-STD-348  
SERIES SMP  
(BOTH SIDES)



**CUSTOMER OUTLINE DRAWING**

ALL OTHER SHEETS ARE FOR INTERNAL USE ONLY

UNLESS OTHERWISE SPECIFIED, DIMENSIONS ARE IN METRIC AND TOLERANCES ARE:  
 0.5 - 6mm ±0.1mm 6 - 30mm ±0.2mm 30 - 120mm ±0.3mm ANGLES ±1°

NOTICE - These drawings, specifications, or other data (1) are, and remain the property of Amphenol corp. (2) must be returned upon request; and (3) are confidential and not to be disclosed to any person other than those to whom they are given by Amphenol Corp. The furnishing of these drawings, specifications, or other data by Amphenol Corp., or to any other person in any manner for any purpose is not to be regarded by implication or otherwise in any manner licensing, granting rights to permitting such holder or any other person to manufacture, use or sell any product, process or design, patented or otherwise, that may in any way be related to or disclosed by said drawings, specifications, or other data.

MATERIAL	DRAWN	Evan	DATE	06-Jun-07	TITLE	SMP BULLET PLUG F-F	Amphenol RF			
	ENGINEER	Gissy	DATE	06-Jun-07			Danbury CT USA, Tainan, Taiwan, Shenzhen, China www.amphenolrf.com			
	REFERENCE	EAR # 2279 AND 615X-2322-100	APPROVED	<i>[Signature]</i>	DATE	15-Jun-07	SCALE: 25.0:1.0	SHEET 2 OF 2	DRAWING NO. SMP-FSBA-696	
CONFIGURATION LEVEL: Engineering Change	CAD FILE	1:\SMP\SMP-FSBA-696		DWG SIZE	B	CODE ID	74868	REV	A	ITEM NO. SMP-FSBA-696
FINISH	PART NO. SMP-FSBA-696									