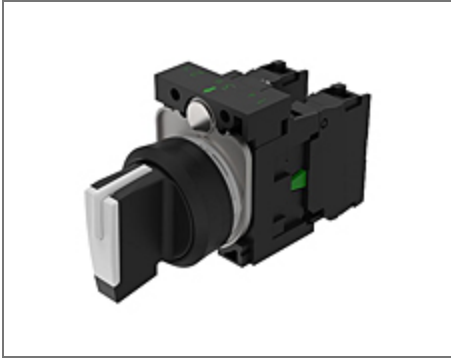



**EAO AG**

Tannwaldstrasse 88  
4600 Olten  
Switzerland

**Phone:** +41 62 286 9111  
[info@eao.com](mailto:info@eao.com)

## Part No. 45-1819.1C90.003.108, Selector Switch



[Specifications](#) | [Bill of Materials](#)

### Specifications

Actuator	<a href="#">Selector switch</a>
Lens Colour	White
Function	3 Pos., maint., (SelSW) (L-C-R)
Housing Material	Plastic
Shape of Handle or Frontring	Short handle
Lock System	None
Key	None
Key Type	None
Switching Angle	2x45 Grad (V-Pos)
Contacts	1NO, 1NO
Terminal	Screw Terminal
Voltage Illumination	None

Mounting Type	Front mounting
Mounting Style	Holder
Environmental Rating	IP66, IP67, IP69K
Industry Standards/Certifications	UL, CSA, VDE, CCC, CE, RoHS
Switching Function	On-Off
Illumination	None
Contact Material	Silver
Termination Style	Screw
Mechanical Life	1'000'000 switching cycles
AC Voltage	500 V
DC Voltage	500 V
Switching Current	10 A
Terminal Plating	Silver

## Bill of Materials

Actuator	45-2819.1C90.003
Holder	45-2300.1000.000
Switch Element 1	45-311.1Z10
Switch Element 2	45-311.1Z10