



Main

Range of product	Harmony Pocket Remote
Product or component type	Base station
Device short name	ZARB

Complementary

Cable entry	Cable pre-wired
Material	ABS + PC
[Us] rated supply voltage	12...24 V DC
Provided equipment	Internal antenna
Number of relays	5
Relay type	Motion relay outputs with 5 C/O contact Auxiliary relay outputs
Safety outputs	2 NC relay outputs
Maximum switching current	10 mA AC
Maximum switching voltage	240 V AC (+/- 20 %)
Communication network type	Wireless
Transmission frequency	2.4 GHz
Maximum sensing distance	300 m in free field
Fixing mode	4 holes
Electrical durability	100000 cycles
Mechanical durability	10000000 cycles
Width	120 mm
Height	117 mm
Depth	51 mm
Net weight	0.40 kg

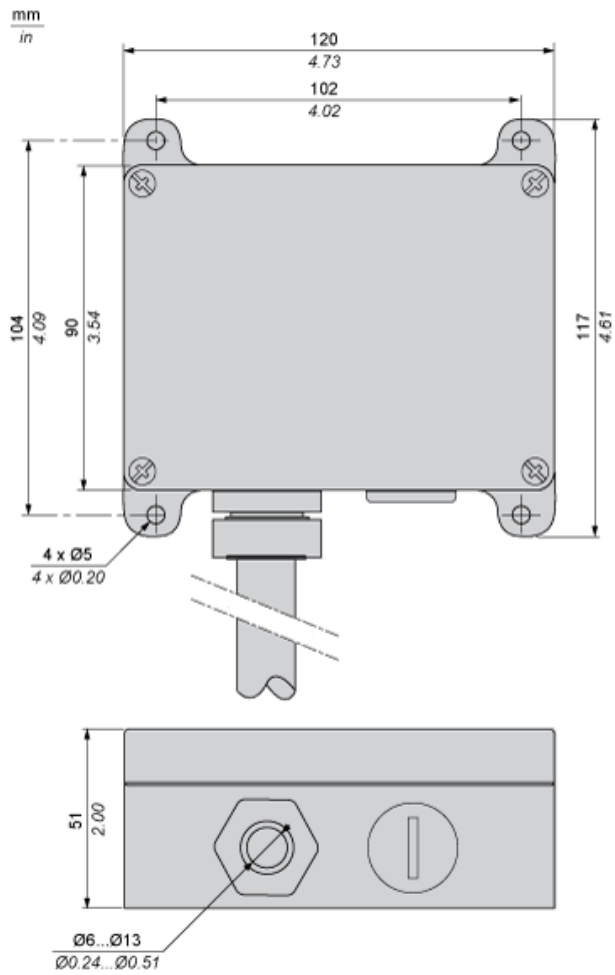
Environment

IP degree of protection	IP66
Radio agreement	FCC IC
Relative humidity	0...97 %
Ambient air temperature for operation	-20...55 °C
Ambient air temperature for storage	-40...70 °C
Product certifications	CE
Environmental characteristic	RoHS compliant

Offer Sustainability

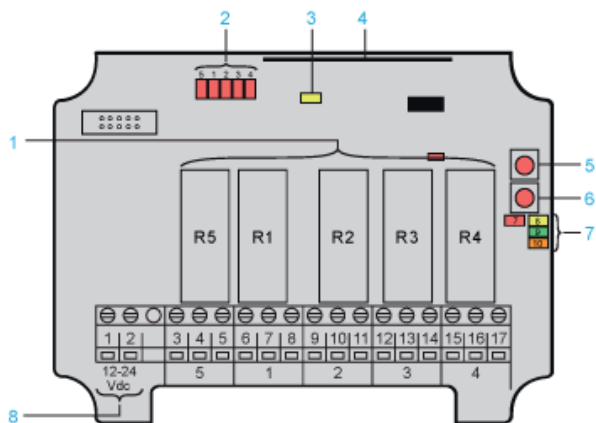
EU RoHS Directive	Pro-active compliance (Product out of EU RoHS legal scope) EU RoHS Declaration
Mercury free	Yes
RoHS exemption information	Yes
China RoHS Regulation	China RoHS Declaration
WEEE	The product must be disposed on European Union markets following specific waste collection and never end up in rubbish bins

Receiver Dimensions

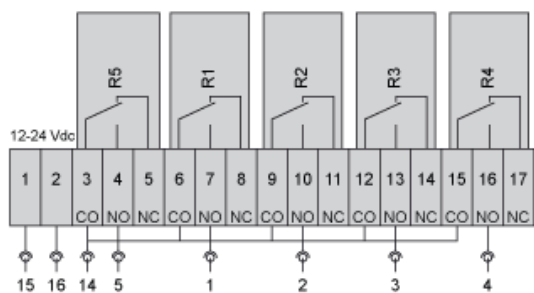


Receiver Wiring

Bottom layer



Part	Description
1	Relays R1...R5
2	Relays LEDs (red)
3	Power LED (yellow)
4	Radio module
5	Function button (cancel)
6	Select button (OK)
7	Function LEDs (7 = red, 8 = yellow, 9 = green, 10 = orange)
8	Terminal block for input power



Signal	Cable no.
Power supply / +	15
Power supply / -	16
Relay R5	Common
Output (NO type)	5
Output (NC type)	-
Relay R1	Common
Output (NO type)	1
Output (NC type)	-
Relay R2	Common
Output (NO type)	2

Signal		Cable no.
Output (NC type)	-	
Relay R3	Common	-
Output (NO type)	3	
Output (NC type)	-	
Relay R4	Common	-
Output (NO type)	4	
Output (NC type)	-	