
 TECHNICAL DATA SHEET

ABB cable glands – BCG series

Brass, general purpose cable glands



Nickel plated brass cable glands for general purpose use, OEM, industrial and commercial applications.

Certifications / Standards:

(Refer to tables for certifications details)



Features & Benefits:

- Low profile compact cable glands
- Wide cable clamping range
- Good corrosion resistance

Applications:

- General purpose
- Panel building
- Light fixture and housings
- Machine building
- Suitable for cable types:
 - Non-armoured
 - Portable
 - Tray

Material:

- Nickel plated brass construction
- Chloroprene seals

Environmental ratings:

Working Temperature:

- Normal use: -20 to +100°C (-4 to +212°F)
- Short term: -30 to +150°C (-22 to +302°F)

Ingress protection:

To ensure ingress protection, use suitable gasket and lock nut when required.

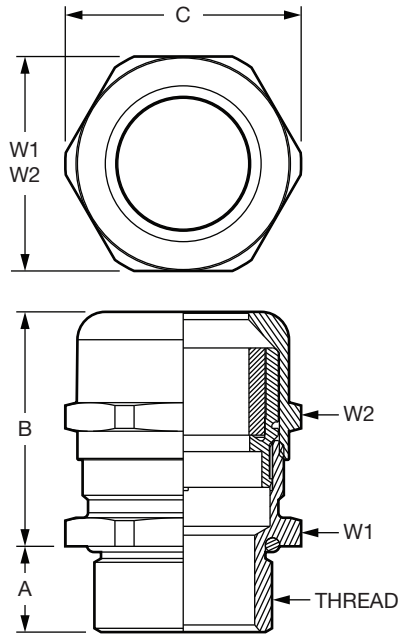
- IP66
- IP68 (5 bar 30 mins)
- NEMA 4

Chemical resistance guide:

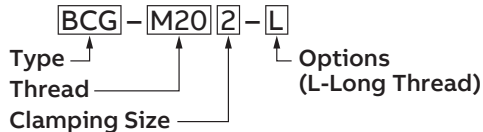
- See publication TDS000081

Conforms to:

- UL514B / CSA C22.2 No 18.3 (see table for details)
- EN 62444
- RoHS (Restriction of Hazardous Substances Directive) 2011/65/EU Incorporating 2015/863 amendment to Annex II
- WEEE (Waste Electrical & Electronic Equipment Directive) 2002/96/EC
- LVD (Low Voltage Directive) 2014/35/EU



Part number information:

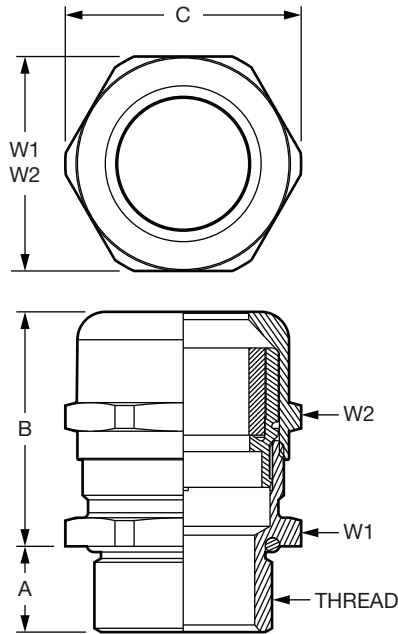


Brass Cable Gland 6-12mm
M20X1.5 (12mmTL)

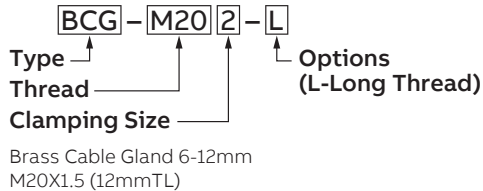
Product selection								
Part no:	Thread (metric)	Cable range			Nominal dimensions			
		Min	Max	A	B	C	W1	W2
BCG-M121	M12x1.5	2.0	5.0	6.0	22.0	15.5	14.0	14.0
		(0.079)	(0.197)	(0.236)	(0.866)	(0.61)	(0.551)	(0.551)
BCG-M121-L (cURus)	M12x1.5	3.0	6.5	12.0	22.0	15.5	14.0	14.0
		(0.118)	(0.256)	(0.472)	(0.866)	(0.61)	(0.551)	(0.551)
BCG-M122 (cURus)	M12x1.5	3.0	6.5	6.0	22.0	15.5	14.0	14.0
		(0.118)	(0.256)	(0.236)	(0.866)	(0.61)	(0.551)	(0.551)
BCG-M161	M16x1.5	2.0	6.0	7.0	23.0	20.0	18.0	17.0
		(0.079)	(0.236)	(0.276)	(0.906)	(0.787)	(0.709)	(0.669)
BCG-M161-L	M16x1.5	2.0	6.0	12.0	23.0	20.0	18.0	17.0
		(0.079)	(0.236)	(0.472)	(0.906)	(0.787)	(0.709)	(0.669)
BCG-M162 (cURus)	M16x1.5	4.0	8.0	7.0	23.0	20.0	18.0	17.0
		(0.157)	(0.315)	(0.276)	(0.906)	(0.787)	(0.709)	(0.669)
BCG-M162-L (cURus)	M16x1.5	4.0	8.0	12.0	23.0	20.0	18.0	17.0
		(0.157)	(0.315)	(0.472)	(0.906)	(0.787)	(0.709)	(0.669)
BCG-M163 (cURus)	M16x1.5	5.0	10.0	7.0	28.5	22.0	20.0	20.0
		(0.197)	(0.394)	(0.276)	(1.122)	(0.866)	(0.787)	(0.787)
BCG-M163-L (cURus)	M16x1.5	5.0	10.0	12.0	28.5	22.0	20.0	20.0
		(0.197)	(0.394)	(0.472)	(1.122)	(0.866)	(0.787)	(0.787)
BCG-M201	M20x1.5	5.0	9.0	8.0	26.0	24.5	22.0	22.0
		(0.197)	(0.354)	(0.315)	(1.024)	(0.965)	(0.866)	(0.866)
BCG-M201-L	M20x1.5	5.0	9.0	12.0	26.0	24.5	22.0	22.0
		(0.197)	(0.354)	(0.472)	(1.024)	(0.965)	(0.866)	(0.866)
BCG-M202 (cULus)	M20x1.5	6.0	12.0	8.0	26.0	24.5	22.0	22.0
		(0.236)	(0.472)	(0.315)	(1.024)	(0.965)	(0.866)	(0.866)
BCG-M202-L (cULus)	M20x1.5	6.0	12.0	12.0	26.0	24.5	22.0	22.0
		(0.236)	(0.472)	(0.472)	(1.024)	(0.965)	(0.866)	(0.866)
BCG-M203 (cULus)	M20x1.5	10.0	14.0	8.0	28.0	26.8	24.0	24.0
		(0.394)	(0.551)	(0.315)	(1.102)	(1.055)	(0.945)	(0.945)
BCG-M203-L (cULus)	M20x1.5	10.0	14.0	12.0	28.0	26.8	24.0	24.0
		(0.394)	(0.551)	(0.472)	(1.102)	(1.055)	(0.945)	(0.945)
BCG-M251	M25x1.5	7.0	12.0	8.0	28.0	29.8	27.0	24.0
		(0.276)	(0.472)	(0.315)	(1.102)	(1.173)	(1.063)	(0.945)
BCG-M251-L	M25x1.5	7.0	12.0	12.0	28.0	29.8	27.0	24.0
		(0.276)	(0.472)	(0.472)	(1.102)	(1.173)	(1.063)	(0.945)
BCG-M252	M25x1.5	9.0	16.0	8.0	33.0	33.0	30.0	30.0
		(0.354)	(0.63)	(0.315)	(1.299)	(1.299)	(1.181)	(1.181)
BCG-M252-L	M25x1.5	9.0	16.0	12.0	33.0	33.0	30.0	30.0
		(0.354)	(0.63)	(0.472)	(1.299)	(1.299)	(1.181)	(1.181)
BCG-M253 (cULus)	M25x1.5	10.0	14.0	8.0	28.0	29.8	27.0	24.0
		(0.394)	(0.551)	(0.315)	(1.102)	(1.173)	(1.063)	(0.945)
BCG-M253-L (cULus)	M25x1.5	10.0	14.0	12.0	28.0	29.8	27.0	24.0
		(0.394)	(0.551)	(0.472)	(1.102)	(1.173)	(1.063)	(0.945)
BCG-M254 (cULus)	M25x1.5	13.0	18.0	8.0	33.0	32.0	30.0	30.0
		(0.512)	(0.709)	(0.315)	(1.299)	(1.26)	(1.181)	(1.181)
BCG-M254-L (cULus)	M25x1.5	13.0	18.0	12.0	33.0	32.0	30.0	30.0
		(0.512)	(0.709)	(0.472)	(1.299)	(1.26)	(1.181)	(1.181)
BCG-M321	M32x1.5	9.0	16.0	9.0	33.0	37.5	34.0	30.0
		(0.354)	(0.63)	(0.354)	(1.299)	(1.476)	(1.339)	(1.181)

Bold numbers are metric, parenthesis numbers are inches.

Note: Product must be installed in accordance with applicable national and local electrical codes.



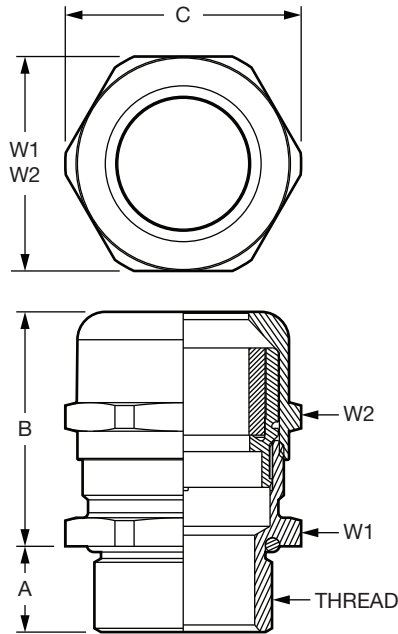
Part number information:



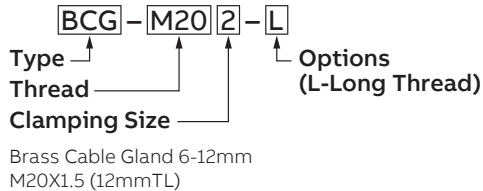
Product selection								
Part no:	Thread (metric)	Cable range			Nominal dimensions			
		Min	Max	A	B	C	W1	W2
BCG-M321-L	M32x1.5	9.0	16.0	15.0	33.0	37.5	34.0	30.0
		(0.354)	(0.63)	(0.591)	(1.299)	(1.476)	(1.339)	(1.181)
BCG-M322	M32x1.5	12.0	20.0	9.0	44.0	44.5	40.0	40.0
		(0.472)	(0.787)	(0.354)	(1.732)	(1.752)	(1.575)	(1.575)
BCG-M322-L	M32x1.5	12.0	20.0	15.0	44.0	44.5	40.0	40.0
		(0.472)	(0.787)	(0.591)	(1.732)	(1.752)	(1.575)	(1.575)
BCG-M323 (cULus)	M32x1.5	13.0	18.0	9.0	33.0	37.5	34.0	30.0
		(0.512)	(0.709)	(0.354)	(1.299)	(1.476)	(1.339)	(1.181)
BCG-M323-L (cULus)	M32x1.5	13.0	18.0	15.0	33.0	37.5	34.0	30.0
		(0.512)	(0.709)	(0.591)	(1.299)	(1.476)	(1.339)	(1.181)
BCG-M324 (cULus)	M32x1.5	15.0	21.0	8.0	36.0	37.0	34.0	34.0
		(0.591)	(0.827)	(0.315)	(1.417)	(1.457)	(1.339)	(1.339)
BCG-M324-L (cULus)	M32x1.5	15.0	21.0	15.0	36.0	37.0	34.0	34.0
		(0.591)	(0.827)	(0.591)	(1.417)	(1.457)	(1.339)	(1.339)
BCG-M325 (cULus)	M32x1.5	18.0	25.0	9.0	44.0	44.5	40.0	40.0
		(0.709)	(0.984)	(0.354)	(1.732)	(1.752)	(1.575)	(1.575)
BCG-M325-L (cULus)	M32x1.5	18.0	25.0	15.0	44.0	44.5	40.0	40.0
		(0.709)	(0.984)	(0.591)	(1.732)	(1.752)	(1.575)	(1.575)
BCG-M401	M40x1.5	12.0	20.0	9.0	38.5	48.5	43.0	40.0
		(0.472)	(0.787)	(0.354)	(1.516)	(1.909)	(1.693)	(1.575)
BCG-M401-L	M40x1.5	12.0	20.0	15.0	38.5	48.5	43.0	40.0
		(0.472)	(0.787)	(0.591)	(1.516)	(1.909)	(1.693)	(1.575)
BCG-M402	M40x1.5	16.0	23.0	9.0	43.5	48.4	43.0	43.0
		(0.63)	(0.906)	(0.354)	(1.713)	(1.906)	(1.693)	(1.693)
BCG-M402-L	M40x1.5	16.0	23.0	15.0	43.5	48.4	43.0	43.0
		(0.63)	(0.906)	(0.591)	(1.713)	(1.906)	(1.693)	(1.693)
BCG-M403 (cULus)	M40x1.5	19.0	28.0	9.0	43.5	48.4	43.0	43.0
		(0.748)	(1.102)	(0.354)	(1.713)	(1.906)	(1.693)	(1.693)
BCG-M403-L (cULus)	M40x1.5	19.0	28.0	15.0	43.5	48.4	43.0	43.0
		(0.748)	(1.102)	(0.591)	(1.713)	(1.906)	(1.693)	(1.693)
BCG-M404 (cULus)	M40x1.5	22.0	32.0	9.0	52.5	55.5	50.0	50.0
		(0.866)	(1.26)	(0.354)	(2.067)	(2.185)	(1.969)	(1.969)
BCG-M404-L (cULus)	M40x1.5	22.0	32.0	15.0	52.5	55.5	50.0	50.0
		(0.866)	(1.26)	(0.591)	(2.067)	(2.185)	(1.969)	(1.969)
BCG-M501	M50x1.5	20.0	26.0	9.0	48.0	61.0	55.0	50.0
		(0.787)	(1.024)	(0.354)	(1.89)	(2.402)	(2.165)	(1.969)
BCG-M501-L	M50x1.5	20.0	26.0	15.0	48.0	61.0	55.0	50.0
		(0.787)	(1.024)	(0.591)	(1.89)	(2.402)	(2.165)	(1.969)
BCG-M502 (cULus)	M50x1.5	22.0	32.0	9.0	48.0	61.0	55.0	50.0
		(0.866)	(1.26)	(0.354)	(1.89)	(2.402)	(2.165)	(1.969)
BCG-M502-L (cULus)	M50x1.5	22.0	32.0	15.0	48.0	61.0	55.0	50.0
		(0.866)	(1.26)	(0.591)	(1.89)	(2.402)	(2.165)	(1.969)
BCG-M503 (cULus)	M50x1.5	27.0	38.0	9.0	52.0	64.0	58.0	58.0
		(1.063)	(1.496)	(0.354)	(2.047)	(2.52)	(2.283)	(2.283)
BCG-M503-L (cULus)	M50x1.5	27.0	38.0	15.0	52.0	64.0	58.0	58.0
		(1.063)	(1.496)	(0.591)	(2.047)	(2.52)	(2.283)	(2.283)
BCG-M504 (cULus)	M50x1.5	34.0	44.0	9.0	52.8	75.0	64.0	64.0
		(1.339)	(1.732)	(0.354)	(2.079)	(2.953)	(2.520)	(2.520)

Bold numbers are metric, parenthesis numbers are inches.

Note: Product must be installed in accordance with applicable national and local electrical codes.



Part number information:



Product selection

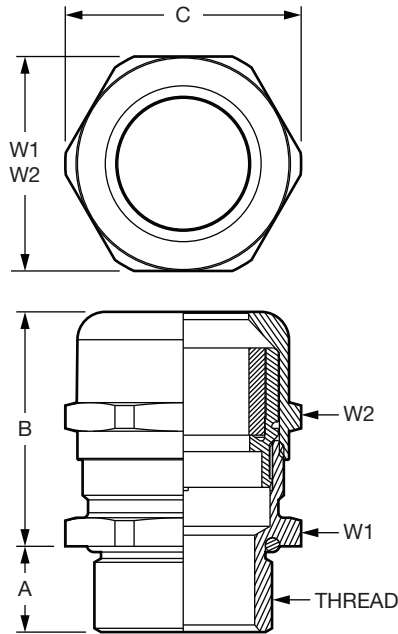
Part no:	Thread (metric)	Cable range		Nominal dimensions				
		Min	Max	A	B	C	W1	W2
BCG-M504-L (cULus)	M50x1.5	34.0	44.0	15.0	52.8	75.0	64.0	64.0
		(1.339)	(1.732)	(0.591)	(2.079)	(2.953)	(2.520)	(2.520)
BCG-M631	M63x1.5	29.0	35.0	10.0	54.0	75.0	68.0	64.0
		(1.142)	(1.378)	(0.394)	(2.126)	(2.953)	(2.677)	(2.520)
BCG-M631-L	M63x1.5	29.0	35.0	18.0	54.0	75.0	68.0	64.0
		(1.142)	(1.378)	(0.709)	(2.126)	(2.953)	(2.677)	(2.520)
BCG-M632 (cULus)	M63x1.5	34.0	44.0	10.0	54.0	75.0	68.0	64.0
		(1.339)	(1.732)	(0.394)	(2.126)	(2.953)	(2.677)	(2.520)
BCG-M632-L (cULus)	M63x1.5	34.0	44.0	18.0	53.0	75.0	68.0	64.0
		(1.339)	(1.732)	(0.709)	(2.087)	(2.953)	(2.677)	(2.520)
BCG-M633 (cULus)	M63x1.5	37.0	53.0	10.0	51.0	83.0	75.0	75.0
		(1.457)	(2.087)	(0.394)	(2.008)	(3.268)	(2.953)	(2.953)
BCG-M633-L (cULus)	M63x1.5	37.0	53.0	18.0	51.0	83.0	75.0	75.0
		(1.457)	(2.087)	(0.709)	(2.008)	(3.268)	(2.953)	(2.953)

Product selection

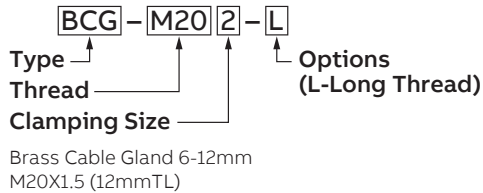
Part no:	Thread (NPT)	Cable range		Nominal dimensions				
		Min	Max	A	B	C	W1	W2
BCG-0381	3/8"	2.0	6.0	11.5	23.5	21.0	19.0	17.0
		(0.079)	(0.236)	(0.453)	(0.925)	(0.827)	(0.748)	(0.669)
BCG-0382 (cURus)	3/8"	5.0	10.0	11.5	29.5	22.0	20.0	20.0
		(0.197)	(0.394)	(0.453)	(1.161)	(0.866)	(0.787)	(0.787)
BCG-0501	1/2"	5.0	9.0	13.0	25.5	24.5	22.0	22.0
		(0.197)	(0.354)	(0.512)	(1.004)	(0.965)	(0.866)	(0.866)
BCG-0502 (cULus)	1/2"	6.0	12.0	13.0	25.5	24.5	22.0	22.0
		(0.236)	(0.472)	(0.512)	(1.004)	(0.965)	(0.866)	(0.866)
BCG-0503 (cULus)	1/2"	10.0	14.0	13.0	28.0	26.8	24.0	24.0
		(0.394)	(0.551)	(0.512)	(1.102)	(1.055)	(0.945)	(0.945)
BCG-0751	3/4"	9.0	16.0	13.0	36.0	33.0	30.0	30.0
		(0.354)	(0.63)	(0.512)	(1.417)	(1.299)	(1.181)	(1.181)
BCG-0752 (cULus)	3/4"	13.0	18.0	13.0	36.0	33.0	30.0	30.0
		(0.512)	(0.709)	(0.512)	(1.417)	(1.299)	(1.181)	(1.181)
BCG-1001	1"	12.0	20.0	13.0	43.0	48.5	43.0	40.0
		(0.472)	(0.787)	(0.512)	(1.693)	(1.909)	(1.693)	(1.575)
BCG-1002 (cULus)	1"	18.0	25.0	13.0	43.0	48.5	43.0	40.0
		(0.709)	(0.984)	(0.512)	(1.693)	(1.909)	(1.693)	(1.575)
BCG-1251	1-1/4"	22.0	32.0	25.6	50	55.5	50	50
		(0.866)	(1.260)	(1.008)	(1.969)	(2.185)	(1.969)	(1.969)
BCG-1501	1-1/2"	30.0	38.0	26.0	51.0	64.0	58	58
		(1.181)	(1.496)	(1.024)	(2.008)	(2.520)	(2.283)	(2.283)
BCG-2001	2"	34.0	44.0	27.0	55.0	70.0	64	64
		(1.339)	(1.732)	(1.063)	(2.165)	(2.756)	(2.520)	(2.520)

Bold numbers are metric, parenthesis numbers are inches.

Note: Product must be installed in accordance with applicable national and local electrical codes.



Part number information:

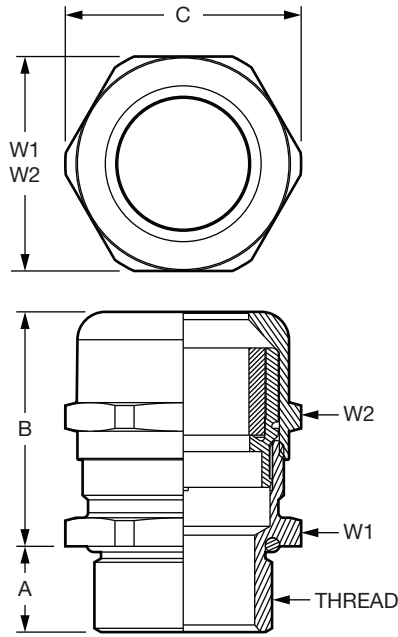


Product selection

Part no:	Thread (PG)	Cable range			Nominal dimensions			
		Min	Max	A	B	C	W1	W2
BCG-PG71	PG07	2.0	5.0	6.0	22.0	15.5	14.0	14.0
		(0.079)	(0.197)	(0.236)	(0.866)	(0.61)	(0.551)	(0.551)
BCG-PG71-L	PG07	2.0	5.0	10.0	22.0	15.5	14.0	14.0
		(0.079)	(0.197)	(0.394)	(0.866)	(0.61)	(0.551)	(0.551)
BCG-PG72 (cURus)	PG07	3.0	6.5	6.0	22.0	15.5	14.0	14.0
		(0.118)	(0.256)	(0.236)	(0.866)	(0.61)	(0.551)	(0.551)
BCG-PG72-L (cURus)	PG07	3.0	6.5	10.0	22.0	15.5	14.0	14.0
		(0.118)	(0.256)	(0.394)	(0.866)	(0.61)	(0.551)	(0.551)
BCG-PG91	PG09	2.0	6.0	6.0	23.5	18.9	17.0	17.0
		(0.079)	(0.236)	(0.236)	(0.925)	(0.744)	(0.669)	(0.669)
BCG-PG91-L	PG09	2.0	6.0	10.0	23.5	18.9	17.0	17.0
		(0.079)	(0.236)	(0.394)	(0.925)	(0.744)	(0.669)	(0.669)
BCG-PG92 (cURus)	PG09	4.0	8.0	6.0	23.5	18.9	17.0	17.0
		(0.157)	(0.315)	(0.236)	(0.925)	(0.744)	(0.669)	(0.669)
BCG-PG92-L (cURus)	PG09	4.0	8.0	10.0	23.5	18.9	17.0	17.0
		(0.157)	(0.315)	(0.394)	(0.925)	(0.744)	(0.669)	(0.669)
BCG-PG111	PG11	3.0	7.0	6.0	26.0	22.0	20.0	20.0
		(0.118)	(0.276)	(0.236)	(1.024)	(0.866)	(0.787)	(0.787)
BCG-PG111-L	PG11	3.0	7.0	10.0	26.0	22.0	20.0	20.0
		(0.118)	(0.276)	(0.394)	(1.024)	(0.866)	(0.787)	(0.787)
BCG-PG112 (cURus)	PG11	5.0	10.0	6.0	26.0	22.0	20.0	20.0
		(0.197)	(0.394)	(0.236)	(1.024)	(0.866)	(0.787)	(0.787)
BCG-PG112-L (cURus)	PG11	5.0	10.0	10.0	26.0	22.0	20.0	20.0
		(0.197)	(0.394)	(0.394)	(1.024)	(0.866)	(0.787)	(0.787)
BCG-PG131	PG13.5	5.0	9.0	6.5	24.5	24.5	22.0	22.0
		(0.197)	(0.354)	(0.256)	(0.965)	(0.965)	(0.866)	(0.866)
BCG-PG131-L	PG13.5	5.0	9.0	10.0	24.5	24.5	22.0	22.0
		(0.197)	(0.354)	(0.394)	(0.965)	(0.965)	(0.866)	(0.866)
BCG-PG132 (cULus)	PG13.5	6.0	12.0	6.5	24.5	24.5	22.0	22.0
		(0.236)	(0.472)	(0.256)	(0.965)	(0.965)	(0.866)	(0.866)
BCG-PG132-L (cULus)	PG13.5	6.0	12.0	10.0	24.5	24.5	22.0	22.0
		(0.236)	(0.472)	(0.394)	(0.965)	(0.965)	(0.866)	(0.866)
BCG-PG161	PG16	7.0	12.0	6.5	28.0	26.5	24.0	24.0
		(0.276)	(0.472)	(0.256)	(1.102)	(1.043)	(0.945)	(0.945)
BCG-PG161-L	PG16	7.0	12.0	10.0	28.0	26.5	24.0	24.0
		(0.276)	(0.472)	(0.394)	(1.102)	(1.043)	(0.945)	(0.945)
BCG-PG162 (cULus)	PG16	10.0	14.0	6.5	28.0	26.5	24.0	24.0
		(0.394)	(0.551)	(0.256)	(1.102)	(1.043)	(0.945)	(0.945)
BCG-PG162-L (cULus)	PG16	10.0	14.0	10.0	28.0	26.5	24.0	24.0
		(0.394)	(0.551)	(0.394)	(1.102)	(1.043)	(0.945)	(0.945)
BCG-PG211	PG21	9.0	16.0	7.2	33.0	33.0	30.0	30.0
		(0.354)	(0.63)	(0.283)	(1.299)	(1.299)	(1.181)	(1.181)
BCG-PG211-L	PG21	9.0	16.0	12.0	33.0	33.0	30.0	30.0
		(0.354)	(0.63)	(0.472)	(1.299)	(1.299)	(1.181)	(1.181)
BCG-PG212 (cULus)	PG21	13.0	18.0	7.2	33.0	33.0	30.0	30.0
		(0.512)	(0.709)	(0.283)	(1.299)	(1.299)	(1.181)	(1.181)
BCG-PG212-L (cULus)	PG21	13.0	18.0	12.0	33.0	33.0	30.0	30.0
		(0.512)	(0.709)	(0.472)	(1.299)	(1.299)	(1.181)	(1.181)

Bold numbers are metric, parenthesis numbers are inches.

Note: Product must be installed in accordance with applicable national and local electrical codes.



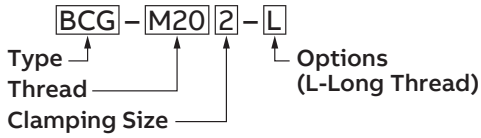
Product selection

Part no:	Thread (PG)	Cable range			Nominal dimensions			
		Min	Max	A	B	C	W1	W2
BCG-PG291	PG29	12.0	20.0	8.0	38.5	44.5	40.0	40.0
		(0.472)	(0.787)	(0.315)	(1.516)	(1.752)	(1.575)	(1.575)
BCG-PG291-L	PG29	12.0	20.0	12.0	38.5	44.5	40.0	40.0
		(0.472)	(0.787)	(0.472)	(1.516)	(1.752)	(1.575)	(1.575)
BCG-PG292 (cULus)	PG29	18.0	25.0	8.0	38.5	44.5	40.0	40.0
		(0.709)	(0.984)	(0.315)	(1.516)	(1.752)	(1.575)	(1.575)
BCG-PG292-L (cULus)	PG29	18.0	25.0	12.0	38.5	44.5	40.0	40.0
		(0.709)	(0.984)	(0.472)	(1.516)	(1.752)	(1.575)	(1.575)
BCG-PG361	PG36	20.0	26.0	9.0	48.0	55.5	50.0	50.0
		(0.787)	(1.024)	(0.354)	(1.89)	(2.185)	(1.969)	(1.969)
BCG-PG361-L	PG36	20.0	26.0	14.0	48.0	55.5	50.0	50.0
		(0.787)	(1.024)	(0.551)	(1.89)	(2.185)	(1.969)	(1.969)
BCG-PG362 (cULus)	PG36	22.0	32.0	9.0	48.0	55.5	50.0	50.0
		(0.866)	(1.26)	(0.354)	(1.89)	(2.185)	(1.969)	(1.969)
BCG-PG362-L (cULus)	PG36	22.0	32.0	14.0	48.0	55.5	50.0	50.0
		(0.866)	(1.26)	(0.551)	(1.89)	(2.185)	(1.969)	(1.969)
BCG-PG421	PG42	25.0	31.0	12.0	49.0	64.0	58.0	58.0
		(0.984)	(1.22)	(0.472)	(1.929)	(2.52)	(2.283)	(2.283)
BCG-PG421-L	PG42	25.0	31.0	16.0	49.0	64.0	58.0	58.0
		(0.984)	(1.22)	(0.63)	(1.929)	(2.52)	(2.283)	(2.283)
BCG-PG422 (cULus)	PG42	30.0	38.0	12.0	49.0	64.0	58.0	58.0
		(1.181)	(1.496)	(0.472)	(1.929)	(2.52)	(2.283)	(2.283)
BCG-PG422-L (cULus)	PG42	30.0	38.0	16.0	49.0	64.0	58.0	58.0
		(1.181)	(1.496)	(0.63)	(1.929)	(2.52)	(2.283)	(2.283)
BCG-PG481	PG48	29.0	35.0	14.0	52.5	70.0	64.0	64.0
		(1.142)	(1.378)	(0.551)	(2.067)	(2.756)	(2.52)	(2.52)
BCG-PG481-L	PG48	29.0	35.0	18.0	52.5	70.0	64.0	64.0
		(1.142)	(1.378)	(0.709)	(2.067)	(2.756)	(2.52)	(2.52)
BCG-PG482 (cULus)	PG48	34.0	44.0	14.0	52.5	70.0	64.0	64.0
		(1.339)	(1.732)	(0.551)	(2.067)	(2.756)	(2.52)	(2.52)
BCG-PG482-L (cULus)	PG48	34.0	44.0	18.0	52.5	70.0	64.0	64.0
		(1.339)	(1.732)	(0.709)	(2.067)	(2.756)	(2.52)	(2.52)

Bold numbers are metric, parenthesis numbers are inches.

Note: Product must be installed in accordance with applicable national and local electrical codes.

Part number information:



Brass Cable Gland 6-12mm
M20X1.5 (12mmTL)

