

T H E R M O M E T R I C S  
A C O M M I T M E N T T O E X C E L L E N C E

# JS8845 Integrated Pipe Clip Surface Temperature Sensor



Thermometrics JS8845 Integrated Pipe Clip Surface Temperature Sensor is a clip-on temperature sensor that monitors the temperature of a fluid or gas that passes through a pipe or tubing circulation system. A system control module receives this temperature reading and uses a control loop to control the overall system temperature. This could be engine temperature, heater temperature, industrial or process supply line temperature, etc.

## Applications

- Engine Coolant Temperature
- Battery Pack Coolant Line Temperature
- Process Flow Management
- HVAC Water and Refrigeration
- Home Appliances

## Features

- Easy to mount spring-loaded clip of galvanized spring steel
- High sensitivity
- Compact design
- Integrated connector with locking mechanism
- VW75174 approved connector system
- IP57 Ingression Protection Rating

**Amphenol**  
Advanced Sensors

# JS8845 Specifications

## Operating Temperature

-40°C to 125°C

## Storage Temperature

-40°C to 125°C

## R @ 25°C

JS8845A: 2.7kΩ ±5%

JS8845B: 10.0kΩ ±5%

JS8845C: 30.0kΩ ±5%

## Beta (25/85)°C

3977K

## Response Time

~20 seconds mounted on a metallic pipe

## Housing Material

Polyamide 6

Color: Grey

## Clip Material

Galvanized Steel

## Weight

10g

## Mating Connector

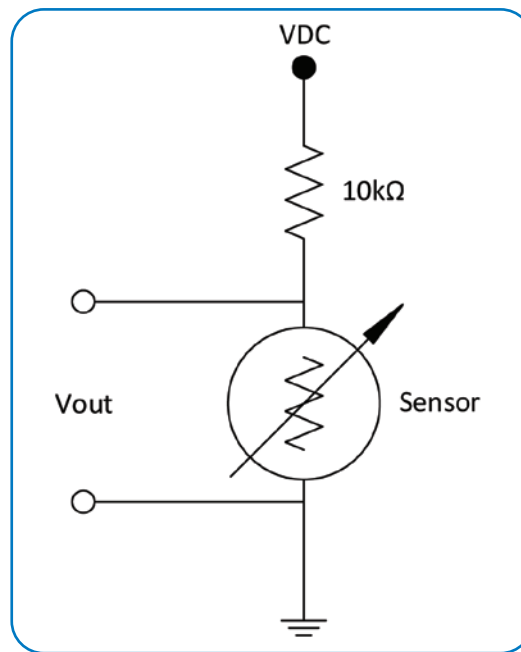
Amphenol FEP - 428 313 000

TE Connectivity (TE) 1-1718643-1

## Homologations

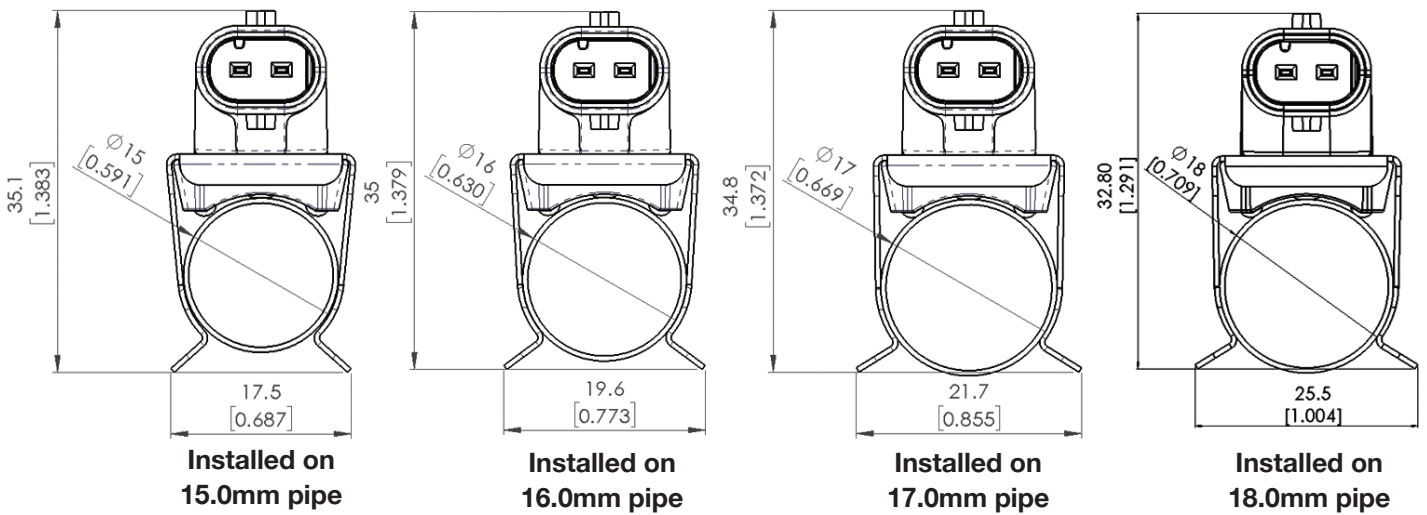
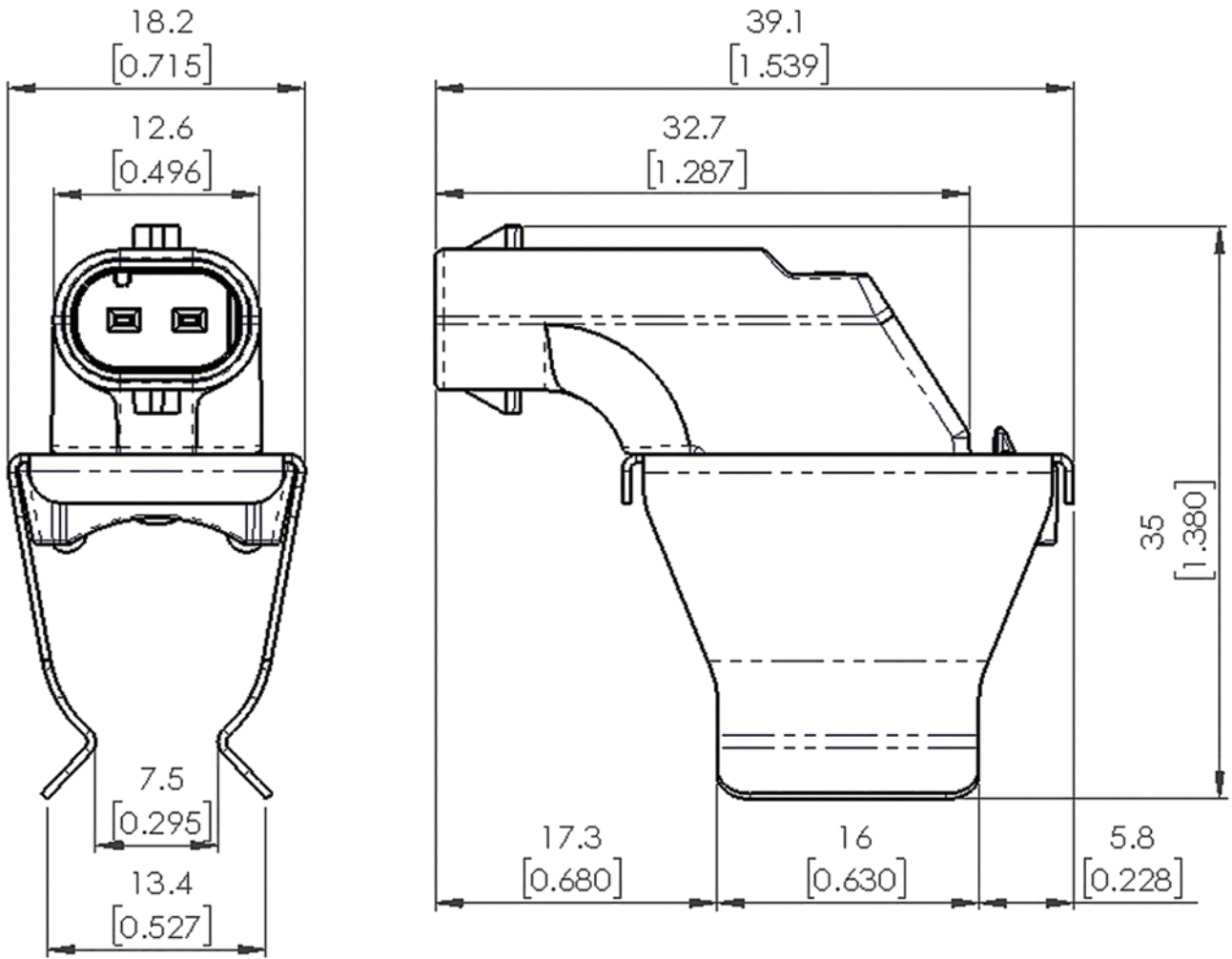
ISO 16750

AEC Q200



Typical Circuit Diagram

# JS8845 Specifications (Continued)



Dimensions are in mm [IN]

Dimensions shown are for envelope size. Contact Product Engineering for detailed drawings.

# JS8845 Ordering Options

Part Number	Resistance @ 25°C
JS8845A	2.7kΩ ±5%
JS8845B	10.0kΩ ±5%
JS8845C	30.0kΩ ±5%

\*Customized resistance versus temperature is possible.