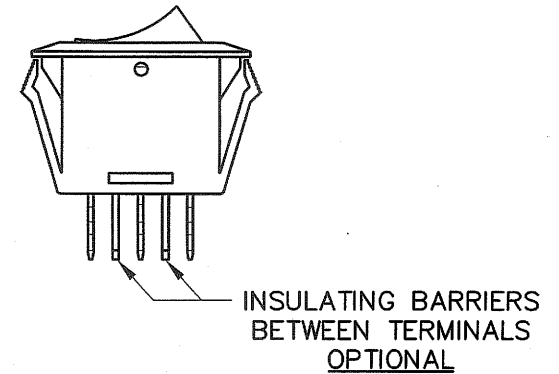
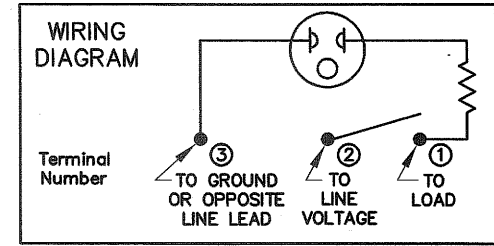
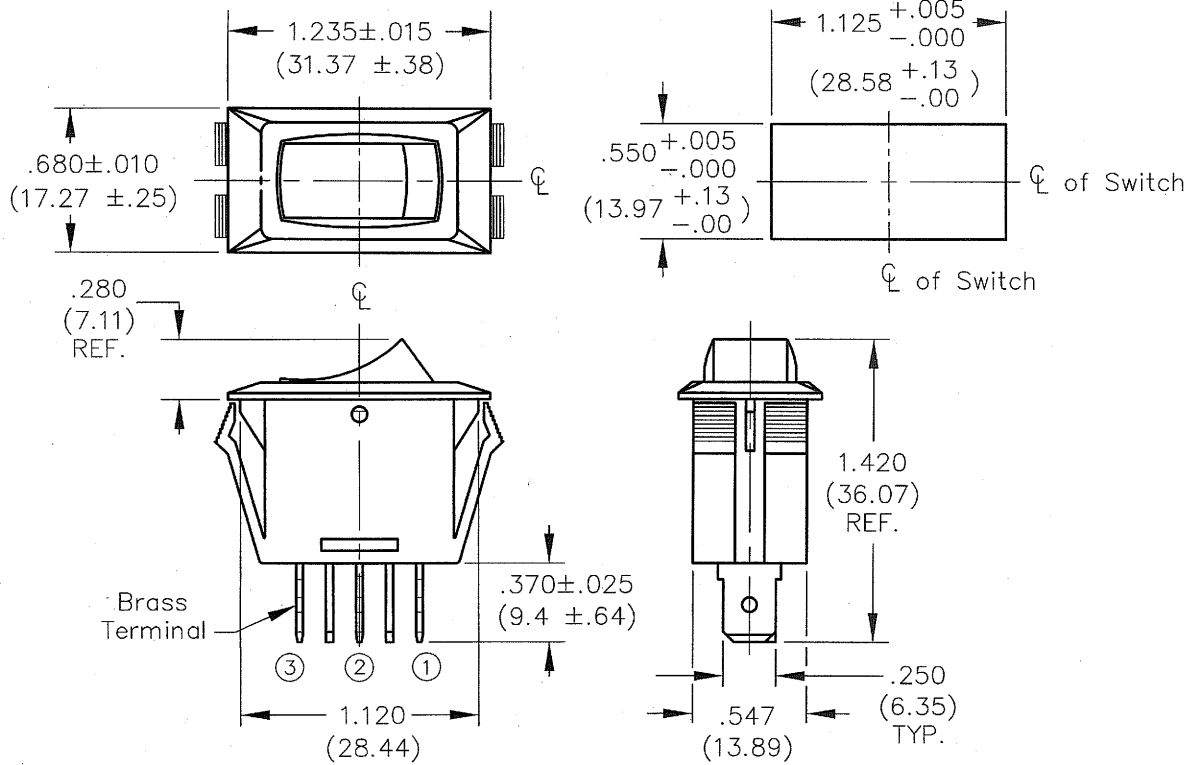


F
D
C
B
A
 THIS INFORMATION IS CONFIDENTIAL AND PROPRIETARY TO CW INDUSTRIES, INCORPORATED AND ITS AFFILIATES. IT MAY NOT BE DISCLOSED TO ANYONE OTHER THAN CW INDUSTRIES PERSONNEL, WITHOUT WRITTEN AUTHORIZATION FROM CW INDUSTRIES INCORPORATED, SOUTHAMPTON, PENNSYLVANIA USA.

DIMENSIONS IN INCHES (MILLIMETERS)
 DO NOT SCALE DRAWING

Dwg. No.
GRL-2011-XXXX

PANEL PIERCING



1	2	3	4	5	6	7	8	9	10
REVISIONS RELEASED: DCW 8-04-2010 0112 7113							GW INDUSTRIES Southampton, Pa. 18966 TOLERANCES UNLESS OTHERWISE SPECIFIED 2 Place Decimal ±.010 METRIC 3 Place Decimal ±.005 1 Place Dec. ±.25mm Angles ±1° 2 Place Dec. ±.13mm		Title: LIGHTED ROCKER SWITCH ASSEMBLY S.P./S.T.
Made for: CW IND.							Division: SWITCH		
Drawn by: DGW 8-04-2010							Dwg. No.		
Checked by: <i>Greg Held</i> 10-27-10							GRL-2011-XXXX		
Approval: <i>Edward L. Paul</i> 10-27-10									

MASTER