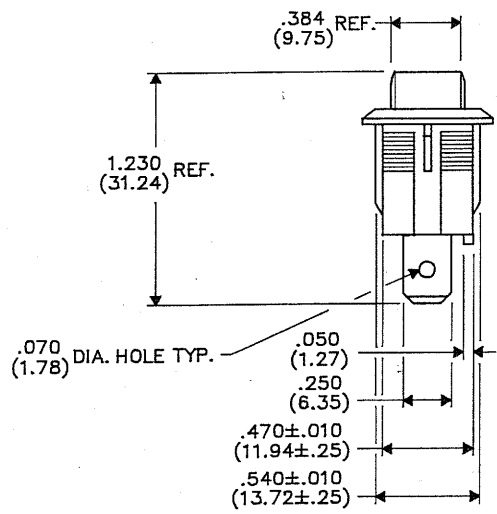
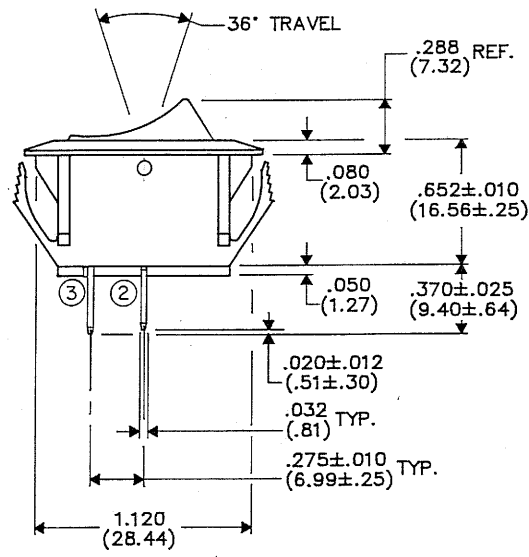
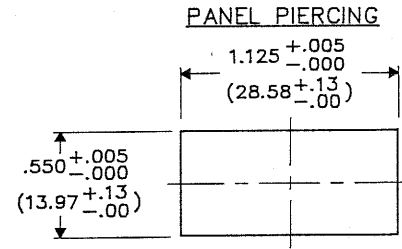
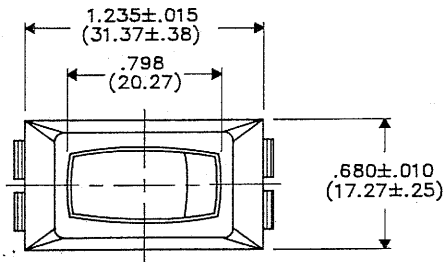


DIMENSIONS IN INCHES (MILLIMETERS)  
DO NOT SCALE DRAWING...

Drawing No. **GRS-2011B-2000**



B-FORM-0  
REVISIONS  
RELEASED  
MAM 4-18-90  
SEP 20 1990

PDF File Made:	<b>CW INDUSTRIES</b> Southampton, Pa. 18966		Title <b>ASSEMBLY DRAWING</b> <b>S.P.S.T. ROCKER SWITCH</b> <b>MOMENTARY NORMALLY OPEN</b> <b>NON-POLARIZED</b> <b>1.125" x .550" PANEL</b>	
	TOLERANCES UNLESS OTHERWISE SPECIFIED			
	2 Place decimal ±.010 METRIC		3 Place decimal ±.005 1 Place dec. ±.25 MM	
	Angles: ±1°		2 Place dec. ±.15 MM	
	Made for: CW Ind.		Division SWITCH	
Drawn by: MAM 4-18-90		Drawing No. <b>GRS-2011B-2000</b>		
Checked by: <i>[Signature]</i> 8-20-90		Approval: <i>[Signature]</i> 8-10-90		