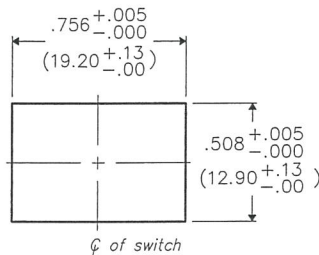
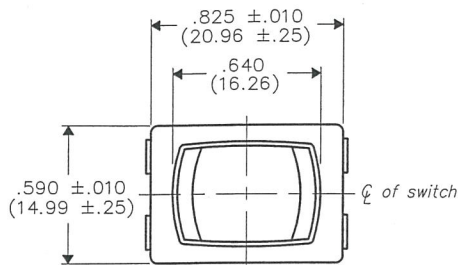


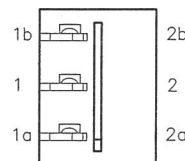
THIS INFORMATION IS CONFIDENTIAL AND PROPRIETARY TO CW INDUSTRIES INCORPORATED AND ITS AFFILIATES. IT MAY NOT BE DISCLOSED TO ANYONE, OTHER THAN CW INDUSTRIES PERSONNEL, WITHOUT WRITTEN AUTHORIZATION FROM CW INDUSTRIES INCORPORATED, SOUTHAMPTON, PENNSYLVANIA, USA.

DIMENSIONS IN INCHES (MILLIMETERS)
DO NOT SCALE DRAWING

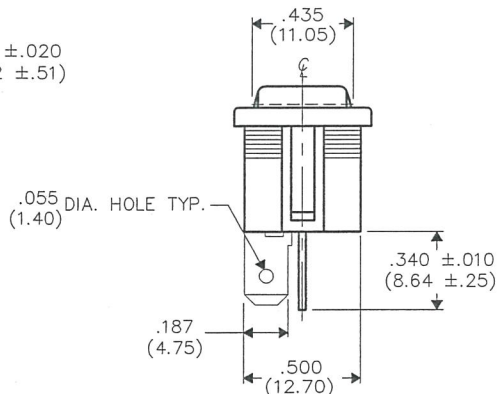
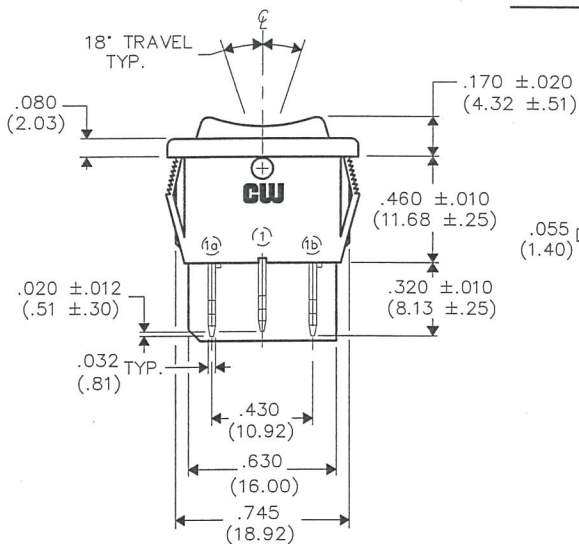
Dwg. No.
GRS-4013C-0001



PANEL PIERCING



BOTTOM VIEW



UL & CSA LISTED:

- 8A 125VAC
- 4A 250VAC
- 3A 277VAC

MATERIALS:

BUTTON & HOUSING - NYLON 6/6 94V-2, COLOR/BLACK
TERMINAL & MOVING CONTACT - COPPER ALLOY

1	2	3	4	5	6	7	8	9	10									
<p>B-FORMAT 2002</p> <p>REVISIONS</p> <p>RELEASED: DWG 2-25-13 FEC 2.6.2013</p>							<p>PDF MADE</p>		<p>GW INDUSTRIES Southampton, Pa. 18966</p> <p>TOLERANCES UNLESS OTHERWISE SPECIFIED</p> <table style="font-size: small;"> <tr> <td>2 Place Decimal ±.010</td> <td>METRIC</td> </tr> <tr> <td>3 Place Decimal ±.005</td> <td>1 Place Dec. ±.25mm</td> </tr> <tr> <td>Angles ±1'</td> <td>2 Place Dec. ±.13mm</td> </tr> </table> <p>Made for: CW IND.</p> <p>Drawn by: DGW 2-25-13</p> <p>Checked by: <i>G. Guld 2-26-13</i></p> <p>Approval: <i>C. H... 2/26/13</i></p>		2 Place Decimal ±.010	METRIC	3 Place Decimal ±.005	1 Place Dec. ±.25mm	Angles ±1'	2 Place Dec. ±.13mm	<p>Title: ASSEMBLY ROCKER SWIDGET S.P.- CENTER OFF (MOM.-OFF-MOM.)</p> <p>Division: SWITCH</p> <p>Dwg. No. GRS-4013C-0001</p>	
2 Place Decimal ±.010	METRIC																	
3 Place Decimal ±.005	1 Place Dec. ±.25mm																	
Angles ±1'	2 Place Dec. ±.13mm																	

MASTER