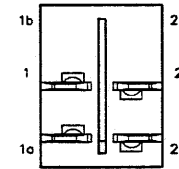
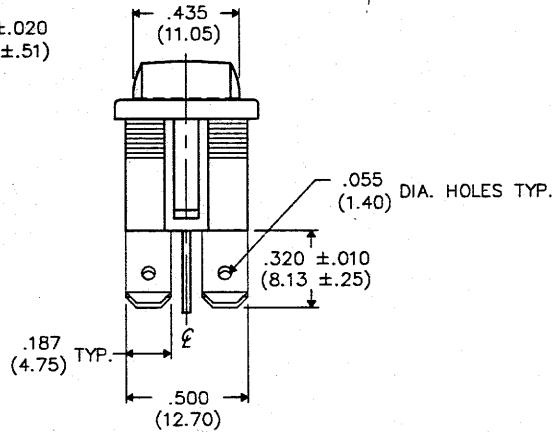
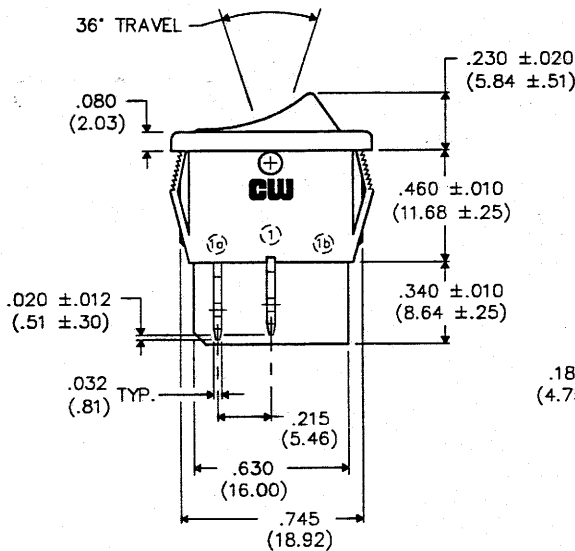
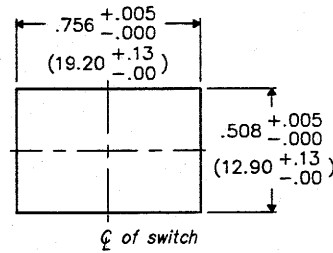
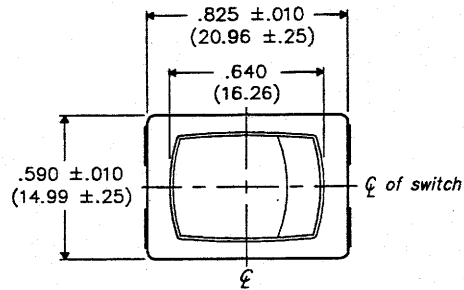


DIMENSIONS IN INCHES (MILLIMETERS)  
DO NOT SCALE DRAWING .....

Dwg. No.  
**GRS-4021B-0000**

**PANEL PIERCING**



**BOTTOM VIEW**

FORM-B

**REVISIONS**

0  
RELEASED  
DCW 8-04-94  
106181984  
0314

PDF File Made

**CW INDUSTRIES**  
Southampton, Pa. 18966

TOLERANCES UNLESS OTHERWISE SPECIFIED  
2 Place decimal ±.010 METRIC  
3 Place decimal ±.005 1 Place dec. ±.25mm  
Angles ..... ± 1' 2 Place dec. ±.13mm

Made for: CW IND.  
Drawn by: DCW 8-04-94  
Checked by: G. Guld 8-8-94  
Approval: [Signature]

Title: **ROCKER SWITCH ASSEMBLY (POP IN) D.P. - S.T.**

Division: **SWITCH**

Dwg. No.  
**GRS-4021B-0000**

**MASTER MASTER**