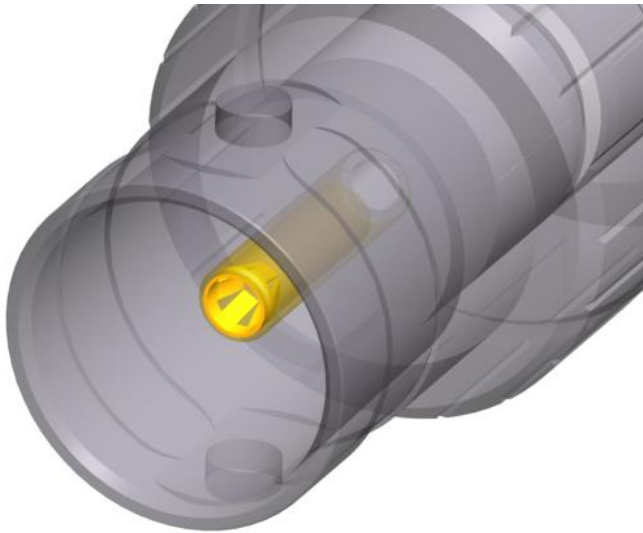


NBB75FI

Isolated BNC bulkhead for panel mount, feedthrough

Neutrik's BNC bulkhead for panel mount offer a true 75 Ω design for serial and digital (HD & UHD) signals. The machined brass connector body provides an extremely rugged and non-abrasive connection over long term use.

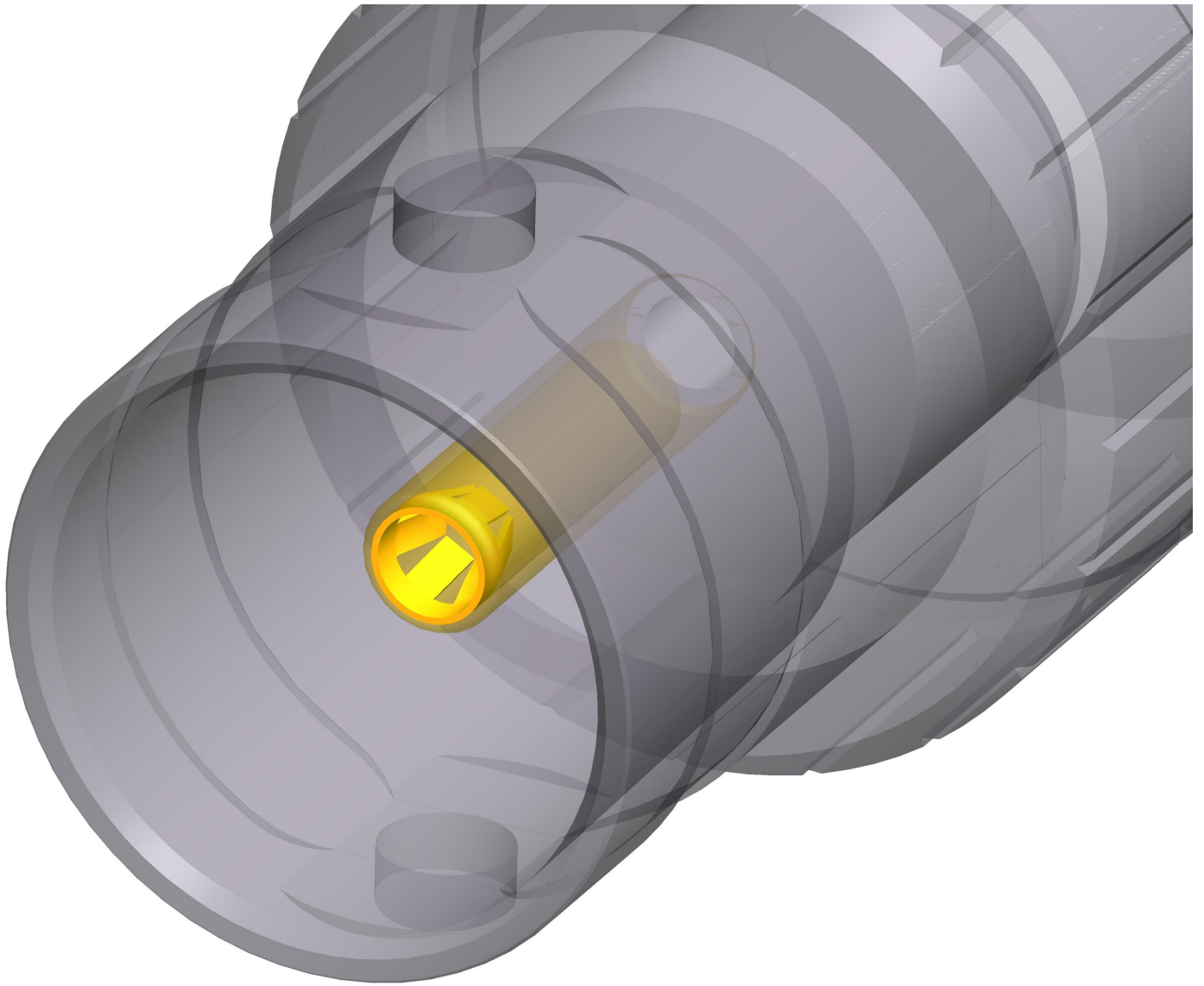


Features & Benefits

- Gold plated cage type center contact
- True 75 Ω design meets the stringent HD requirements
- Isolated panel mount (solves potential grounding problems and prevents common-mode influence with other connections conducted over the same panel ground potential)
- Extra wide fastening nut avoids damaging the plastic thread

New cage type contact

- Closed contact design - extremely robust
- Gold plated cage type clip - best possible shielding and lowest contact resistance



Technical Information

Product	
Title	NBB75FI
Connection Type	BNC 75 Ω
Gender	female

Electrical	
Signal Type	HD, SDI, Video, AES/EBU, Composit, YUV, RGB, RGBH, RGBHV UHD
Contact resistance	≤ 3 mΩ (inner)
Contact resistance	≤ 2 mΩ (outer)
Dielectric strength	1,5 kVdc
Impedance	75 Ω
Insulation resistance	> 5 GΩ
Rated voltage	<50 V
VSWR	≤1.050/>32 dB up to 1 GHz ≤1.065/>30 dB up to 2 GHz ≤1.100/>26 dB up to 3 Ghz

Mechanical	
Insertion force	< 25 N
Lifetime	> 1000 mating cycles
Wiresize	
Locking device	Bayonett
Mounting direction	Front mounting
Chassis shape	12.7 mm

Material	
Contacts	Brass (CuZn39Pb3), 0.2 μm AuCo (Center contact)
Insert	PTFE
Shell	Brass (CuZn39Pb3)
Shell plating	Optalloy®

Environmental

Temperature range

-30 °C to +85 °C