



ENGLISH

Datasheet

RS Article:1854677

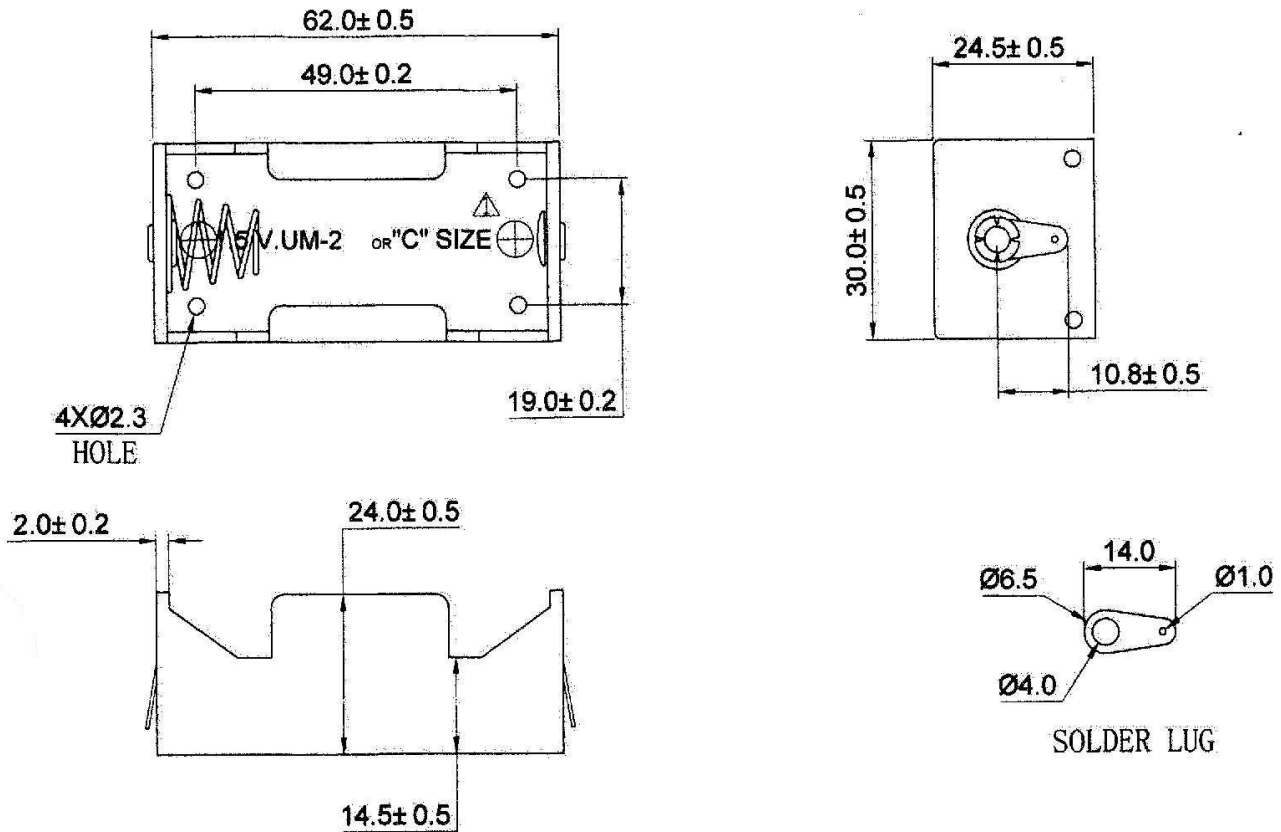
RS Pro Battery Holder



1. Preface:

The purpose of this product specification is to Dimension and drawing

C x 1 with Tag



SPECIFICATION

- (1) ITEM NO: 1854677
- (2) WITH BIG SOLDER LUG
- (3) MATERIAL: P. P. RESIN, BLACK CO
- (4) SPRING: 0.8MM 65C SPRING WIRE
- (5) RoHS COMPLIANT

Measure: mm