

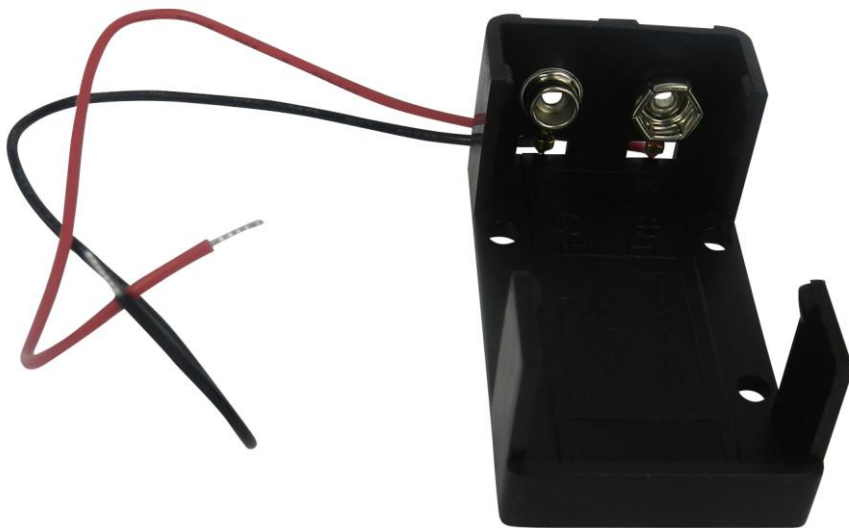


ENGLISH

Datasheet

RS Article:1854754

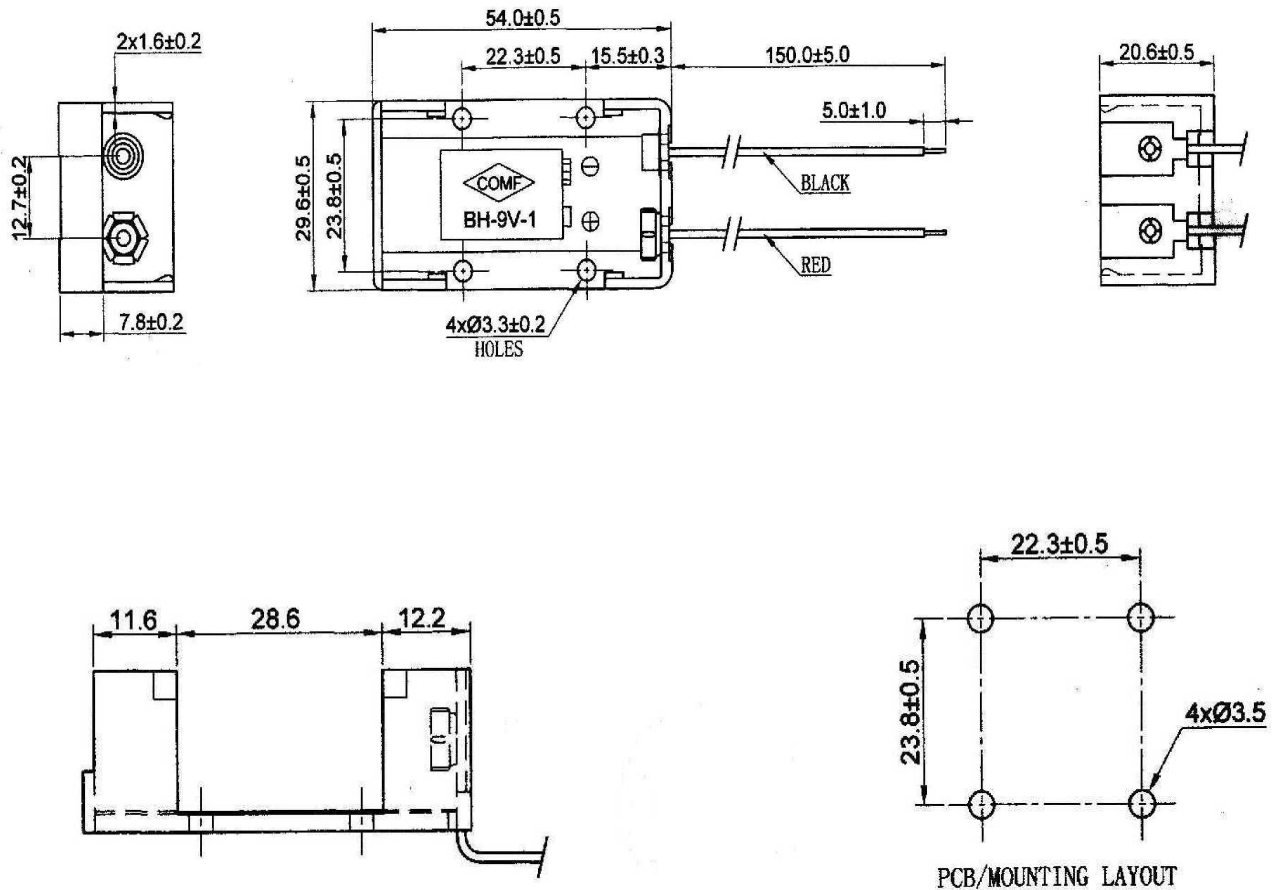
RS Pro Battery Holder



1. Preface:

The purpose of this product specification is to dimension and drawing

9V with Lead wire 150mm



SPECIFICATION

- (1) ITEM NO. : 1854754
- (2) WIRE: UL1007 AWG #26
BLACK & RED: 150MM±5MM
STRIP & TIN: 5MM±1MM
- (3) HOLDER MATERIAL: NYLON RESIN, BLACK COLOR
- (4) WITH 6 PRONG SNAP TERMINAL, BRASS NICKEL PLATED
- (5) RIVET MATERIAL: BRASS NICKEL PLATED
- (6) RoHS COMPLIANT

Measure: mm