



ENGLISH

Datasheet

RS Article:1854679

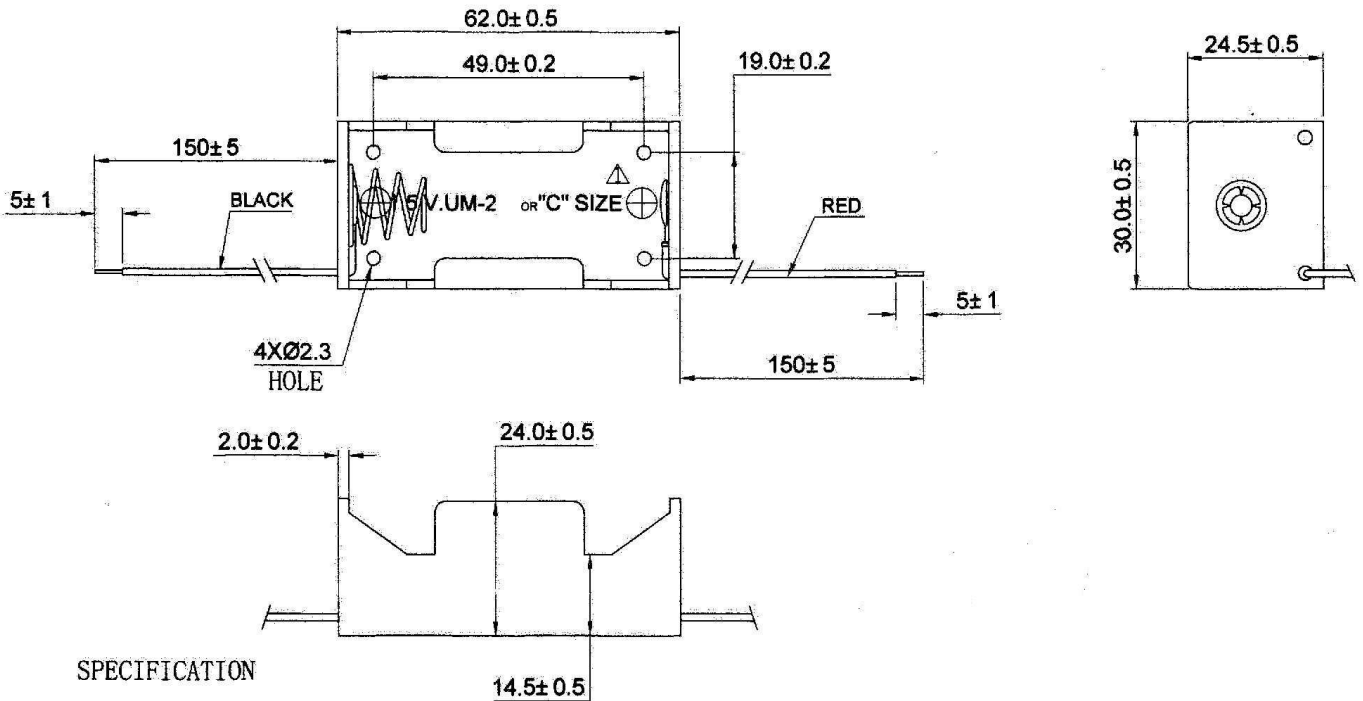
RS Pro Battery Holder



1. Preface:

The purpose of this product specification is to Dimension and drawing

C x 1 with Lead wire 150mm



SPECIFICATION

- (1) ITEM NO: 1854679
- (2) WIRE: UL1007 AWG#24
BLACK & RED 150MM±5MM
STRIP & TIN 5MM±1MM
- (3) MATERIAL: P.P. RESIN, BLACK C
- (4) SPRING: 0.8MM 65C SPRING WIRE
- (5) RoHS COMPLIANT

Measure: mm