



ENGLISH

Datasheet

RS Article:1854767

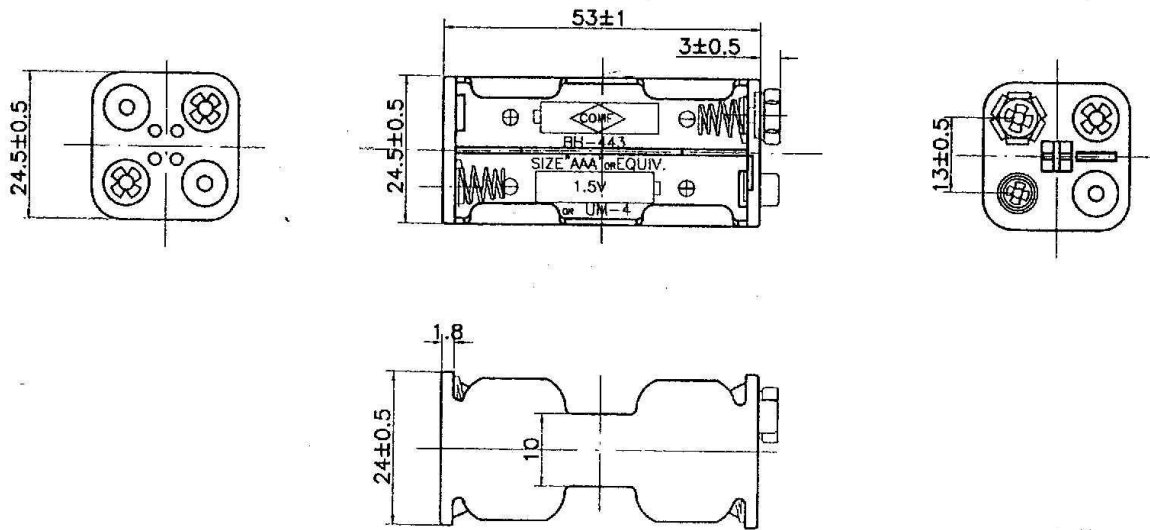
# RS Pro Battery Holder



## 1. Preface:

The purpose of this product specification is to dimension and drawing

# AAA x 4 with SNAP Terminal



## SPECIFICATION

- (1) ITEM NO.: 1854767
- (2) WITH 6 PRONG SNAP TERMINAL
- (3) MATERIAL: P.P. RESIN, BLACK COLOR
- (4) SPRING: 0.6MM 65C SPRING WIRE

Measure: mm