



ENGLISH

Datasheet

RS Article:1854603

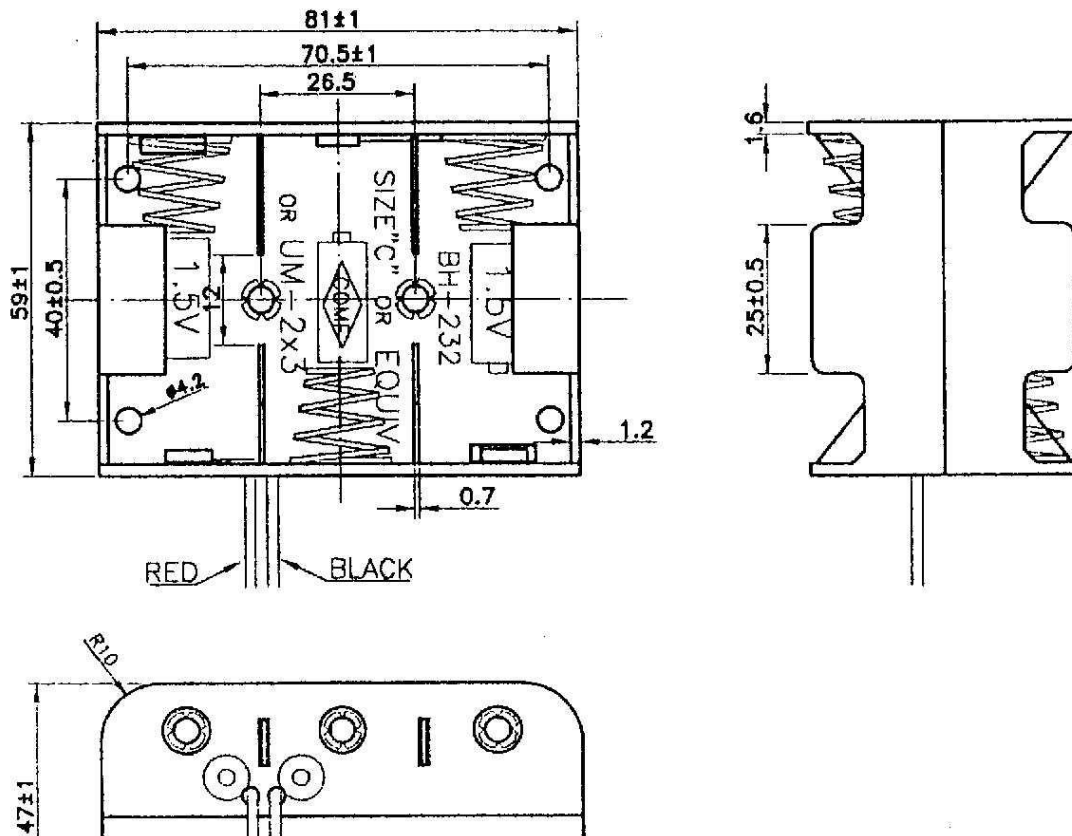
RS Pro Battery Holder



1. Preface:

The purpose of this product specification is to Dimension and drawing

C x 6 with Lead wire 150mm



SPECIFICATION

- (1) ITEM NO.: 1854603
- (2) WIRE: UL1007 AWG#24,
BLACK & RED 150MM±5MM
STRIP & TIN 5MM±1MM
- (3) MATERIAL: P.P. RESIN ,
BLACK COLOR
- (4) SPRING: 0.8MM 65C ,
SPRING WIRE

Measure: mm