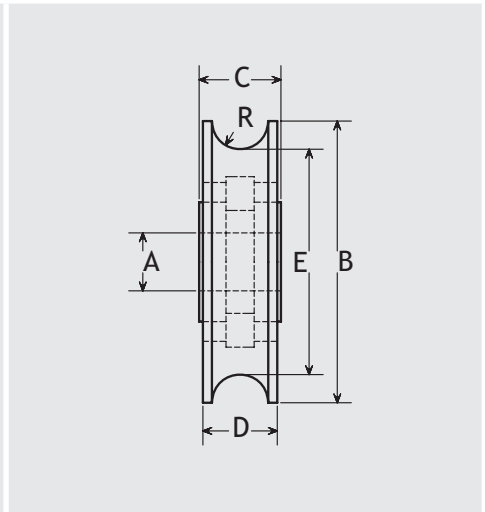
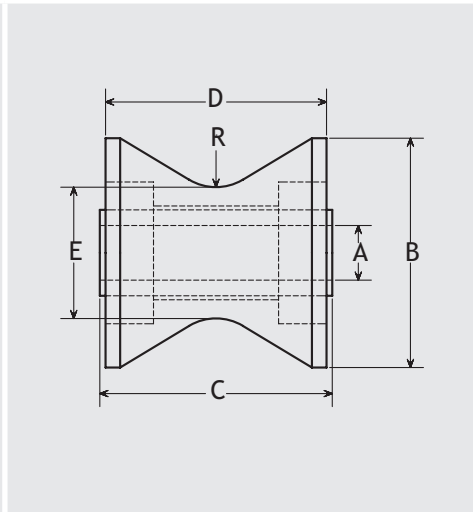
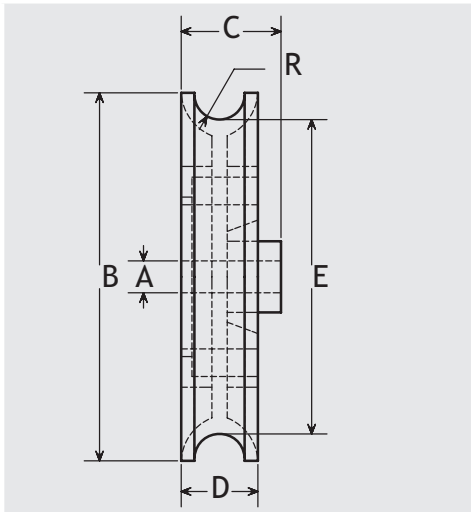


POBCO Plastic Ball Bearing Pulleys

| Advantages | Applications |
|--|---|
| <ul style="list-style-type: none"> • Gravity, Low Friction, Quiet • No Lubrication Required • Corrosion Resistant, No Maintenance | <ul style="list-style-type: none"> • Rope and cable guides, overhead conveyors, and exercise equipment |

| | | |
|----------------|----------------|----------------|
| Style Q | Style R | Style S |
|----------------|----------------|----------------|



Acetal Gravity Pulleys with Acetal Races and Carbon or 420 Stainless Steel Balls

| PART NUMBER | STYLE # | A | B | C | D | E | R (RADIUS) | TO SUIT | STATIC LOAD | MAX RPM | W/NO LOAD | COLOR |
|----------------|---------|-------|--------|------------|--------------|-----------|------------|----------------|-------------|---------|-----------|---------|
| | | (ID) | (OD) | BORE WIDTH | PULLEY WIDTH | ROOT DIA. | | | | | | |
| 1/8C140603DSS | S | .187" | .875" | .375" | .300" | .720" | 1/16" | 1/8" cable | 30 | 200 | | Black |
| PRD181804CS | R | .250" | 1.125" | 1.125" | 1.062" | .625" | .420" | .840" dia pipe | 33 | 200 | | Natural |
| 1/4C200604DSS | S | .250" | 1.25" | .364" | .340" | 1.000" | 1/8" | 1/4" cable | 33 | 200 | | Natural |
| 1/4C280704DCS | S | .250" | 1.75" | .437" | .375" | 1.125" | 1/8" | 1/4" cable | 55 | 200 | | Natural |
| 3/16C290610DSS | S | .625" | 1.812" | .375" | .375" | 1.610" | 3/32" | 3/16" cable | 40 | 1000 | | Black |
| 1C322105CS | R | .312" | 2.00" | 1.30" | 1.187" | 1.437" | 1/2" | 1" cable | 80 | 1000 | | Natural |
| IBD362806CS | R | .375" | 2.25" | 1.75" | 1.625" | 1.250" | .32" Flat | various | 80 | 1000 | | Black |
| 3/8C481004DSS | Q | .250" | 3.00" | 13/16" | 5/8" | 2-9/16" | 3/16" | 3/8" cable | 55 | 1000 | | Gray |

SS = 420 Stainless Balls
CS = Carbon