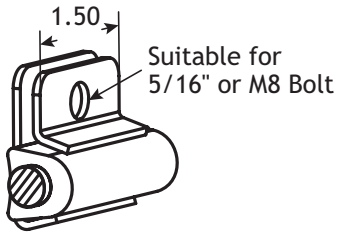
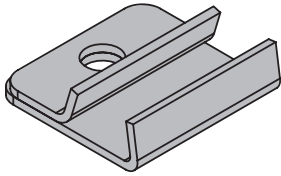


# POBCO Rail Clamps

POBCO Stainless Rail Clamps will support guide rails on pages 2-7.

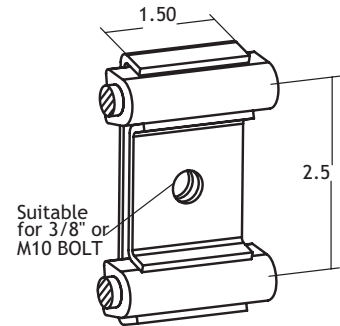
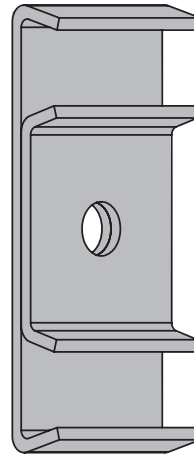
## Single Rail Clamp



.078 THICK STAINLESS STEEL  
14 Ga.

#CSS-2424 (Round Hole) Suitable for 5/16" or M8 Bolt  
#CSS-2424SQ (Square Hole) Suitable for 5/16" or M8 Carriage Bolt

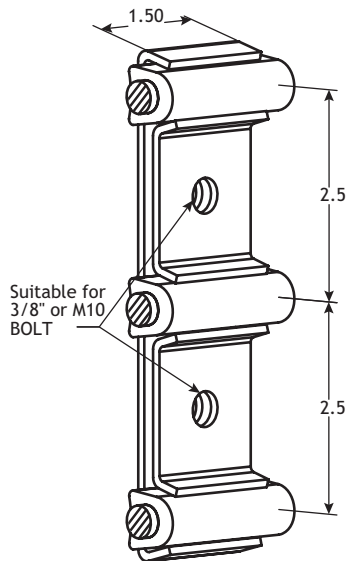
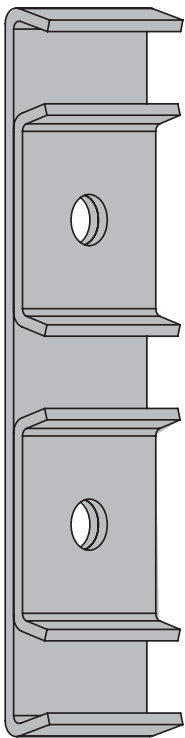
## Double Rail Clamp



.110 THICK STAINLESS STEEL  
12 Ga.

#CSS-DOUBLE (Round Hole) Suitable for 3/8" or M10 Bolt  
#CSS-DOUBLESQ (Square Hole) Suitable for 3/8" or M10 Carriage Bolt

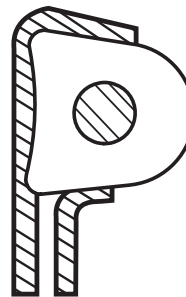
## Triple Rail Clamp



.110 THICK STAINLESS STEEL  
12 Ga.

#CSS-TRIPLE (Round Hole) Suitable for 3/8" or M10 Bolt

## World's Most Sanitary Guide Rails



**POBCO Guide Rails**  
#GRA-1008SS or #GRA-109SS  
1/4" or 3/8" Dia. Stainless Steel Core

- Easy to Install
- Easy to Clean
- No crevices for bacteria

*NUT, BOLT, WASHER AVAILABLE ON REQUEST*