

POBCO Sanitary Mounts

Medium and Heavy Duty

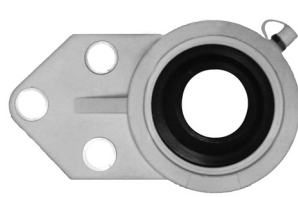
White Thermoplastic Housing with 440C stainless steel bearing is made of corrosion resistant materials. The medium duty inserts are POBCO Plus (lube-filled UHMW). All components including grease are USDA and FDA compliant materials. Mounts are ideal in many applications including food processing, bottling, and material handling. The Heavy Duty is provided with 2 set screws and lube fitting. The backs of these Mounts are Solid Plastic to help prevent bacteria growth.

3 Bolt Side Flange

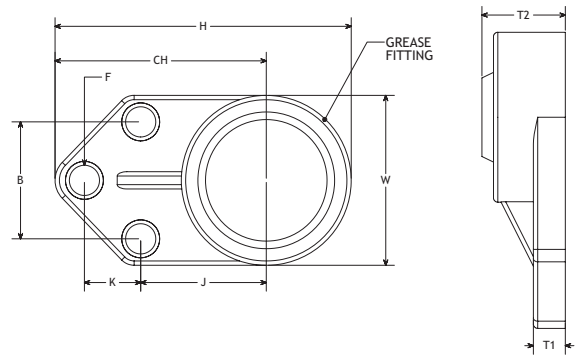
HEAVY DUTY STAINLESS STEEL INSERT	MEDIUM DUTY PLASTIC INSERT	SERIES	SHAFT DIAMETER	H	CH	W	B	K	J	T1	T2	HOLE (F)
PSS3FM12	PP3FM12	204	3/4"	4.31"	3.13"	2.44"	1.50"	1.00"	1.69"	.50"	1.38"	.44"
PSS3FM16	PP3FM16	205	1"	4.75"	3.50"	2.75"	1.63"	1.19"	1.81"	.50"	1.63"	.44"
PSS3FM19	PP3FM19	206	1-3/16"	5.50"	3.88"	3.25"	1.88"	1.25"	2.06"	.50"	1.63"	.44"
PSS3FM20	PP3FM20	206	1-1/4"	5.50"	3.88"	3.25"	1.88"	1.25"	2.06"	.50"	1.63"	.44"
PSS3FM20L	PP3FM20L	207	1-1/4"	6.13"	4.25"	3.75"	2.00"	1.31"	2.38"	.59"	1.88"	.44"
PSS3FM23	PP3FM23	207	1-7/16"	6.13"	4.25"	3.75"	2.00"	1.31"	2.38"	.59"	1.88"	.44"



HEAVY DUTY



MEDIUM DUTY

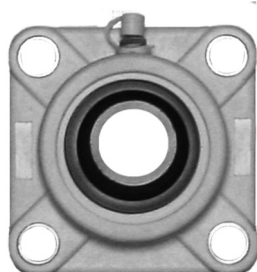


4 Bolt Side Flange

HEAVY DUTY STAINLESS STEEL INSERT	MEDIUM DUTY PLASTIC INSERT	SERIES	SHAFT DIAMETER	MH	ML	L	T	HOLES
PSS4FM12	PP4FM12	204	3/4"	2.52"	3.38"	1.31"	.47"	.47"
PSS4FM16	PP4FM16	205	1"	2.75"	3.75"	1.41"	.56"	.47"
PSS4FM19	PP4FM19	206	1-3/16"	3.27"	4.25"	1.59"	.56"	.47"
PSS4FM20	PP4FM20	206	1-1/4"	3.27"	4.25"	1.59"	.56"	.47"
PSS4FM20L	PP4FM20L	207	1-1/4"	3.63"	4.59"	1.75"	.63"	.55"
PSS4FM23	PP4FM23	207	1-7/16"	3.63"	4.59"	1.75"	.63"	.55"
PSS4FM24	PP4FM24	208	1-1/2"	4.02"	5.13"	2.00"	.63"	.56"



HEAVY DUTY



MEDIUM DUTY

