

8 | 7 | 6 | 5 | 4 | 3 | 2 | 1

D

C

B

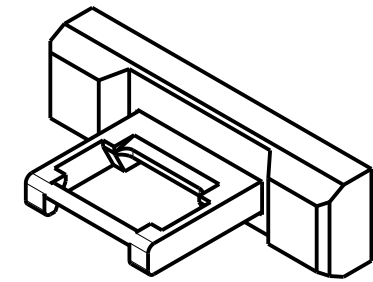
A

D

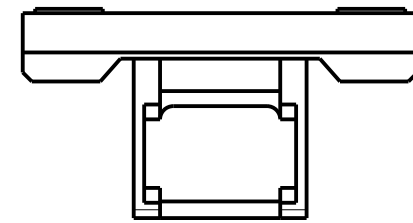
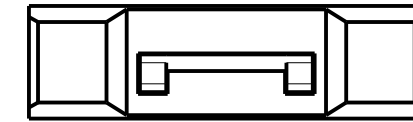
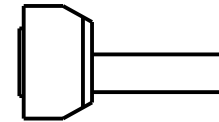
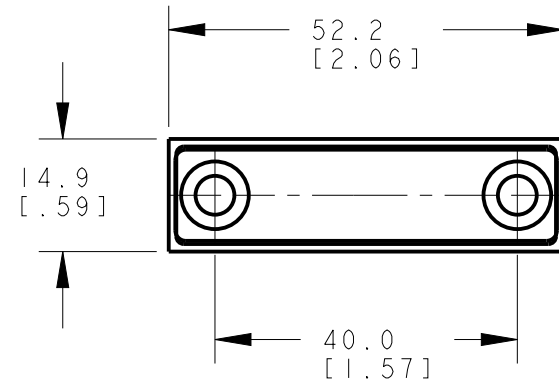
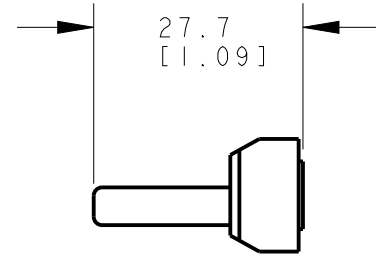
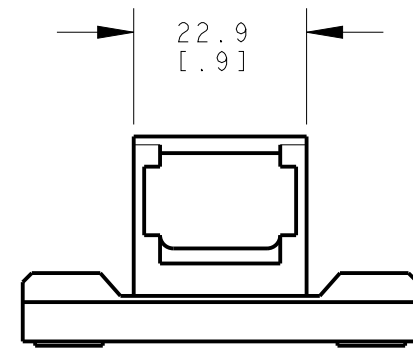
C

B

A



ISOMETRIC VIEWS



This drawing is the property of BANNER ENGINEERING CORP. Any use or reproduction, in any form, without prior written permission of Banner is prohibited. © 2015 Banner Engineering Corp.



BANNER ENGINEERING CORP.

www.bannerengineering.com

TITLE

SI-OS-SSA ACTUATOR

SIZE B

DRAWING NO. 212876

REV. A

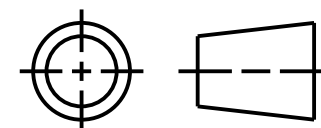
SCALE 1:1

SHEET 1 OF 1

CREO

NOTES:
 1. ALL DIMENSIONS ARE MILLIMETERS [INCHES] UNLESS OTHERWISE NOTED.
 2. REFER TO "www.bannerengineering.com" FOR ADDITIONAL DATA AND SPECIFICATIONS.

8 | 7 | 6 | 5 | 4 | 3 | 2 | 1



THIRD ANGLE PROJECTION