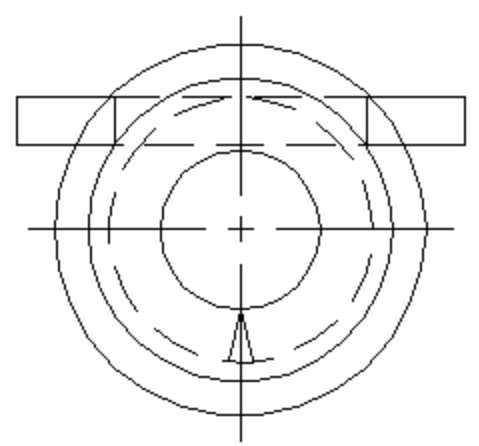
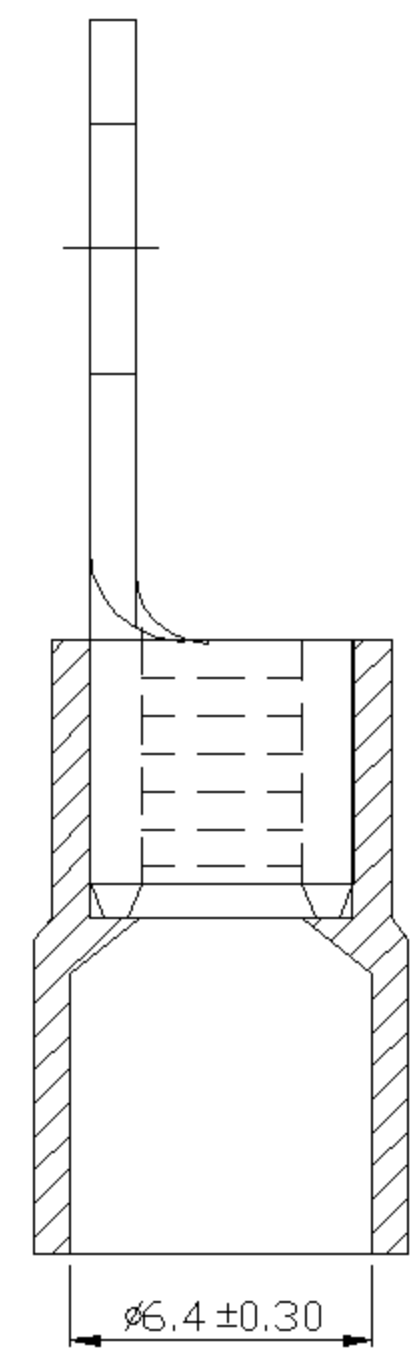
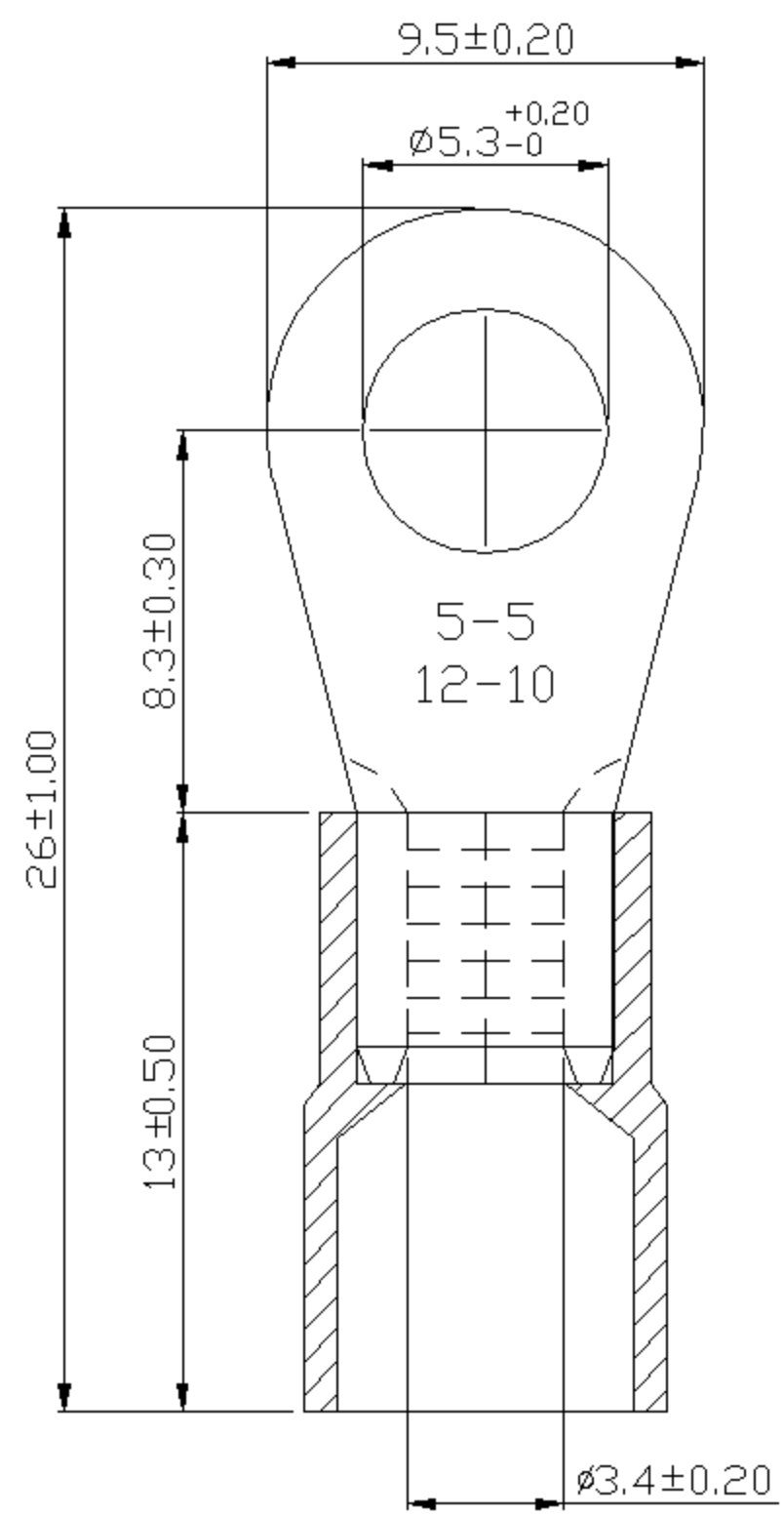


REV	DESCRIPTION	DATE
-----	-------------	------



- NOTE:
1. MAXIMUM ELECTRIC CURRENT :

A.W.G.	12	10	
AMP.	35	50	
 2. MAXIMUM ELECTRICAL RATING : 75°C 600 VOLTS MAX.
 3. INSULATION MATERIAL : VINYL
 4. INSULATION COLOR : YELLOW
 5. TERMINAL MATERIAL : COPPER
 6. WIRE RANGE : 12-10 A.W.G.(4-6 mm²)
 7. TERMINALS SURFACE TREATMENT : TIN PLATED
 8. TERMINALS THICKNESS : 1.00 mm

Tolerance Unless Otherwise Specified	
0 > 6 mm ± 0.20	ANGLE
6 > 18 mm ± 0.30	0° REF ±
18 > 30 mm ± 0.40	±
30 > 75 mm ± 0.50	±

NAME	VINYL-INSULATED(MOLDED) RING TERMINALS			UNIT	
PART NO.	RVY5-5@	MATERIAL	-----	APPROVE	
NUMBER	KA-951019-C	SCALE	SHEET	PAGE	CHECKED
DATE	2006/08/30	4/1	1-0	20F2	DRAWN 張馨尹

