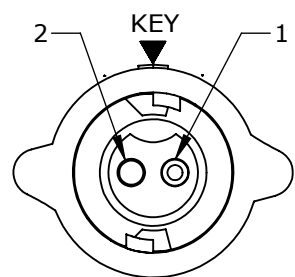


APPROVED BY: DATE: MFG. ENG. QA

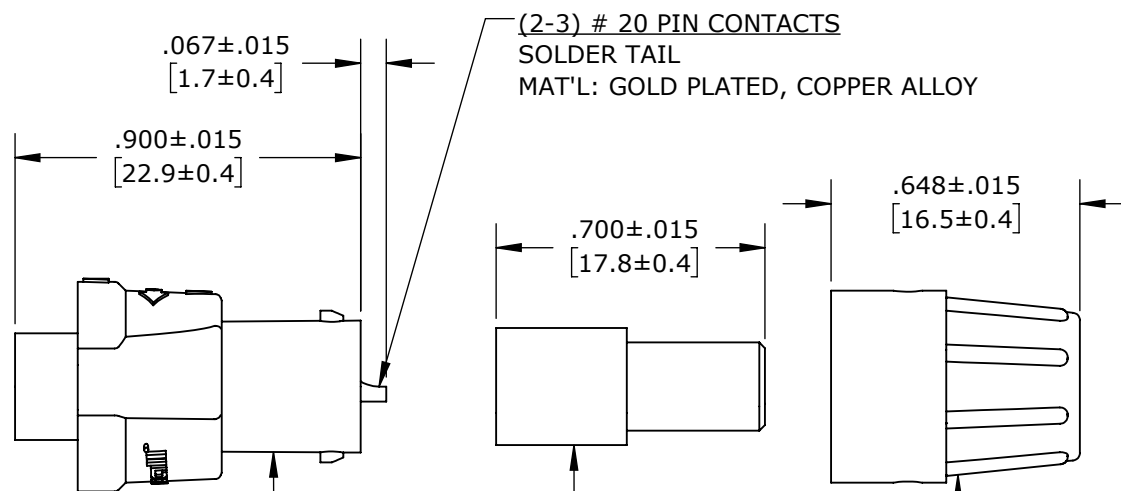
| ASS'Y P/N | CONTACT QTY. | CABLE O.D. RANGE |
|------------------|--------------|-------------------------|
| W16282-2PG-P-311 | 2 | 0.09 - 0.14 [2.3 - 3.6] |
| W16282-2PG-P-315 | 2 | 0.15 - 0.17 [3.8 - 4.3] |
| W16282-2PG-P-318 | 2 | 0.18 - 0.20 [4.6 - 5.1] |
| W16282-3PG-P-311 | 3 | 0.09 - 0.14 [2.3 - 3.6] |
| W16282-3PG-P-315 | 3 | 0.15 - 0.17 [3.8 - 4.3] |
| W16282-3PG-P-318 | 3 | 0.18 - 0.20 [4.6 - 5.1] |
| W16282-XPG-P-3XX | | |

NOTES:

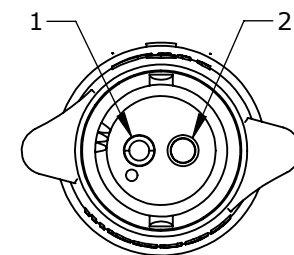
1. ALL PARTS ARE BULK PACKED.
2. REFER TO DRAWING HPMCSTD FOR CONTACT PATTERNS.
3. ALL DIMENSIONS ARE REFERENCE ONLY IN INCHES [mm], WITHIN ±0.015 UNLESS OTHERWISE NOTED.



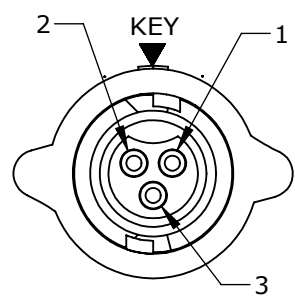
FACE VIEW
W16282-2PG-P-3XX



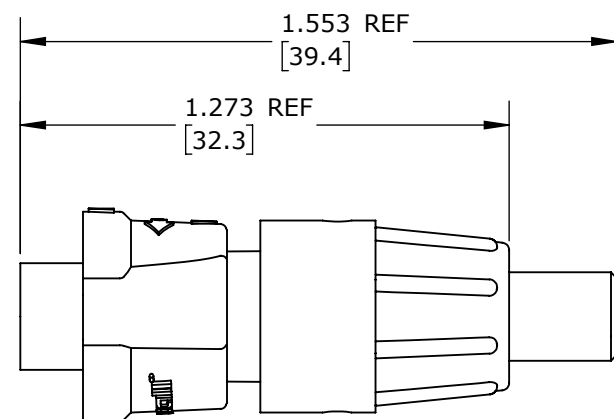
OF CONTACTS — GROMMET SIZE = CABLE O.D. RANGE:
 311 = 0.09 - 0.14 [2.3 - 3.6]
 315 = 0.15 - 0.17 [3.8 - 4.3]
 318 = 0.18 - 0.20 [4.6 - 5.1]



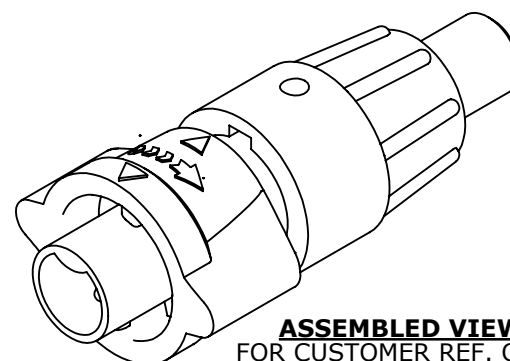
WIRING VIEW
W16282-2PG-P-3XX



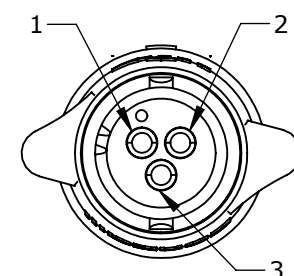
FACE VIEW
W16282-3PG-P-3XX



ASSEMBLED VIEW
FOR CUSTOMER REF. ONLY



ASSEMBLED VIEW
FOR CUSTOMER REF. ONLY
W16282-2PG-P-3XX SHOWN



WIRING VIEW
W16282-3PG-P-3XX

CUSTOMER APPROVAL

THIS DOCUMENT CONTAINS CONFIDENTIAL INFORMATION PROPRIETARY TO CONXALL CORPORATION. ANY REPRODUCTION, DISCLOSURE, OR USE OF THIS DOCUMENT /INFORMATION IS EXPRESSLY PROHIBITED UNLESS AUTHORIZED IN WRITING BY CONXALL CORPORATION.

APPROVED BY: _____
 DATE: _____

RoHS COMPLIANT

PRELIMINARY

DIMENSIONS IS BRACKETS [] ARE METRIC

| | | | | |
|-------------------------------|-------|---------|--|--|
| 0A | JGK | 9/05/19 | DRAWING CREATED FOR PDR #18004. | |
| REV. | INIT. | DATE | DESCRIPTION | |
| | JGK | 9/05/19 | ALL INFORMATION ILLUSTRATED IS THE PROPERTY OF CONXALL CORPORATION. UNAUTHORIZED DUPLICATION OR DISTRIBUTION OF THIS DOCUMENT IS PROHIBITED. | |
| APPROVED BY: | | | TITLE: | |
| SCALE: NTS | | | CABLE-END ASSEMBLY | |
| SIZE: B | | | 2-3 #20 PIN CONTACTS, SOLDER | |
| SHEET: 1 OF 1 | | | INSTA-CLICK, MICRO-CON-X | |
| FILE: W16282-XPG-P-3XX | | | STANDARD PRODUCT | |
| DIRECTORY: SLW | | | CUSTOMER: | |
| PART NUMBER: W16282-XPG-P-3XX | | | REV 0A | |

CUSTOMER PRINT

PART NUMBER: W16282-XPG-P-3XX